

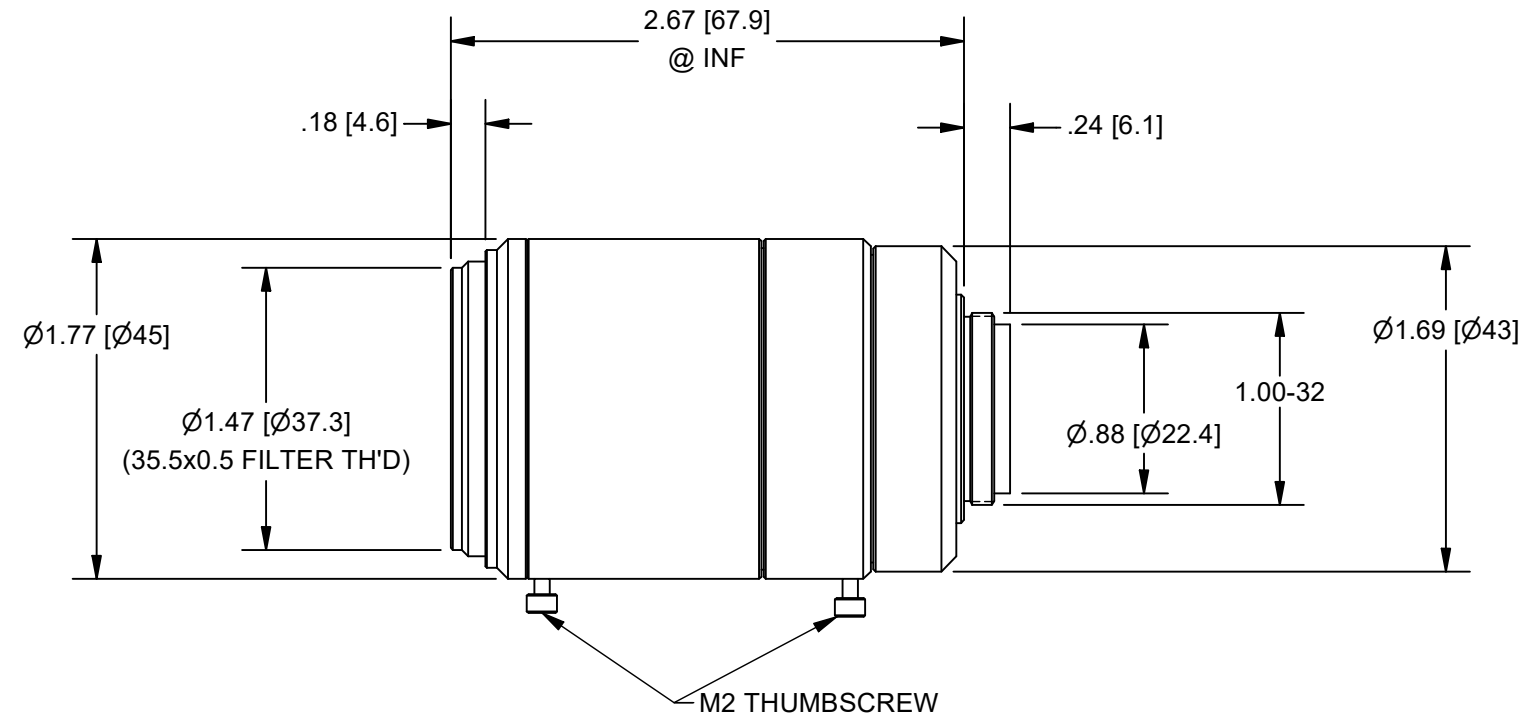


945 East 11th Avenue Tampa, FL 33605

Phone: (813) 984-0125

Contact: Sales@ pyramidimaging.com

<https://pyramidimaging.com>



Lens Specifications - 1.1" 25mm F/1.8, 24MP

Specifications	1.1"	1"	2/3"
Focal Length	f = 25mm		
Maximum diameter (Ratio)	F = 1.8 - 16		
Picture Size	10.6 x 14.1 mm	9.6 x 12.8 mm	6.6 x 8.8 mm
Angle			
- Vertical	23.9 deg	21.7 deg	15.0 deg
- Horizontal	31.5 deg	28.7 deg	20.0 deg
- Diagonal	38.8 deg	35.5 deg	24.8 deg
Distortion	-0.3%	-0.2%	-0.1%
FOV			
- Vertical	48mm	44mm	30mm
(@MOD) - Horizontal	64mm	58mm	40mm
- Diagonal	80mm	73mm	50mm
Minimum Focus Distance	0.1m		
Flange Focus	17.526mm in air		
Back Focus	13.3mm in air		
Filter Screw Size	M35.5x0.5		
Clear Aperture Front / Rear	Ø29.0mm / Ø18.4mm		
Mount	C-Mount		
Exit Pupil	-67.7mm		
Temperature Range	- 10 ~ + 50 deg. C		
Storage Temperature Range	- 20 ~ + 60 deg. C		
Resolution Center / Corner	200lp/mm / 100lp/mm		
Weight	220g		

OUTLINE



UNLESS OTHERWISE SPECIFIED DIMENSIONS ARE IN INCHES [MM] AND INCLUDE CHEMICALLY APPLIED OR PLATED FINISHES

SCALE: 1:1

WEIGHT: SEE TABLE

DR BY: PB

CH BY: J. WILLIAMSON

PROJECT #:

DATE DR: 11/12/2018

PROPRIETARY AND CONFIDENTIAL

THE INFORMATION CONTAINED IN THIS DRAWING IS THE SOLE PROPERTY OF NAVITAR. ANY REPRODUCTION IN PART OR AS A WHOLE WITHOUT THE WRITTEN PERMISSION OF NAVITAR IS PROHIBITED.

0.0 inch 1.0

0.0 mm 25.0

DO NOT SCALE DRAWING

LENS, 25mm, F/1.8, 1.1", 24MP C-MNT		
SIZE	PART NUMBER	REV
B	NMV-25M1.1	C