

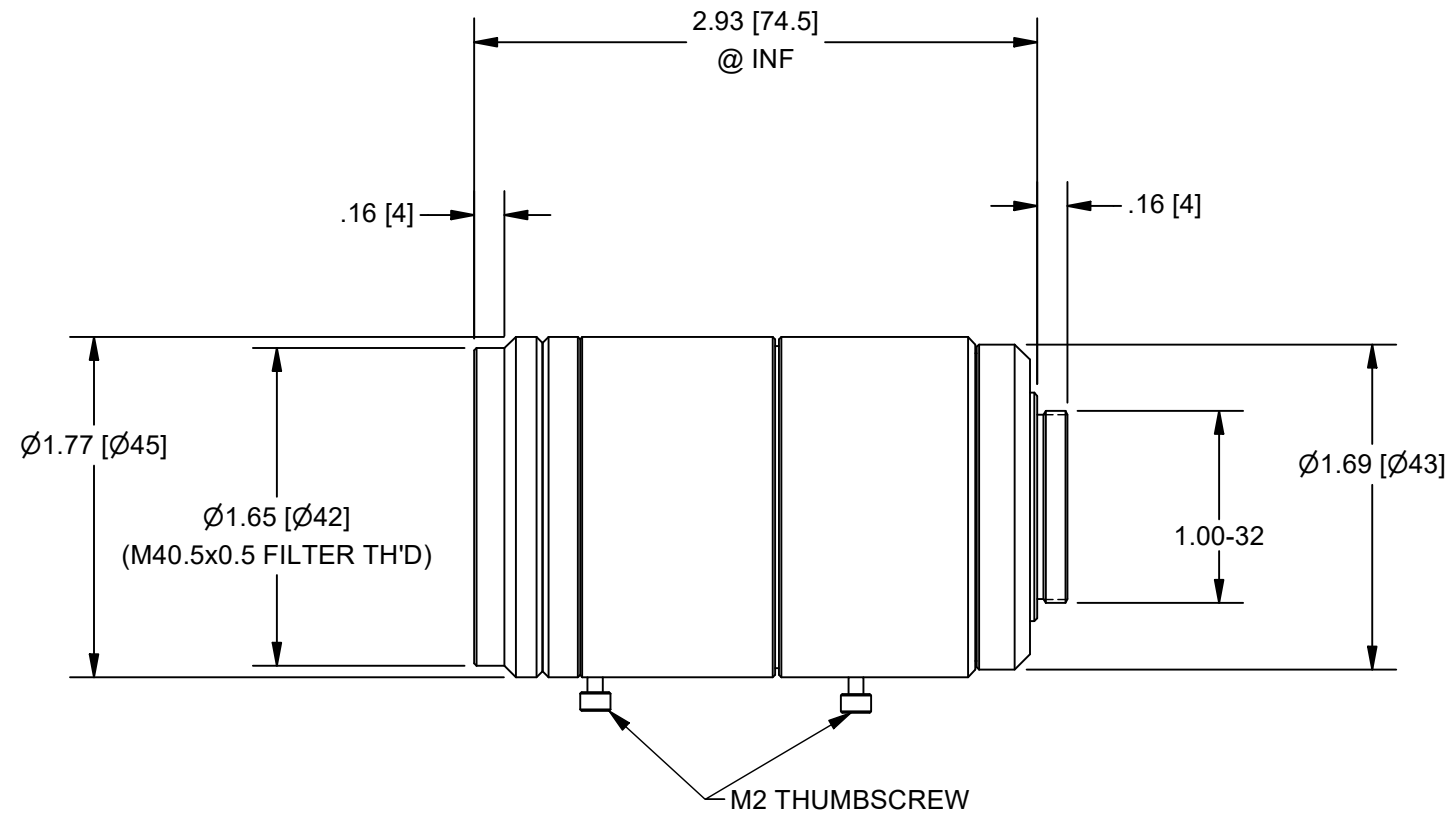


945 East 11th Avenue Tampa, FL 33605

Phone: (813) 984-0125

Contact: Sales@pyramidimaging.com

https://pyramidimaging.com



Lens Specifications - 1.1" 50mm F/1.8, 24MP

Specifications	1.1"	1"	2/3"
Focal Length	f = 50mm		
Maximum diameter (Ratio)	F = 1.8 - 16		
Picture Size	10.6 x 14.1 mm	9.6 x 12.8 mm	6.6 x 8.8 mm
Angle			
- Vertical	12.1 deg	11.0 deg	7.6 deg
- Horizontal	16.1 deg	14.6 deg	10.1 deg
- Diagonal	20.0 deg	18.2 deg	12.6 deg
Distortion	-0.03%	-0.03%	-0.02%
FOV (@MOD)			
- Vertical	44mm	40mm	28mm
- Horizontal	59mm	54mm	37mm
- Diagonal	74mm	67mm	46mm
Minimum Focus Distance	0.2m		
Flange Focus	17.526mm in air		
Back Focus	14.8mm in air		
Filter Screw Size	M40.5x0.5		
Clear Aperture Front / Rear	Ø31.6mm / Ø17.8mm		
Mount	C-Mount		
Exit Pupil	-44.3mm		
Temperature Range	- 10 ~ + 50 deg. C		
Storage Temperature Range	- 20 ~ + 60 deg. C		
Resolution Center / Corner	200lp/mm / 100lp/mm		
Weight	205g		

OUTLINE



UNLESS OTHERWISE SPECIFIED DIMENSIONS ARE IN INCHES [MM] AND INCLUDE CHEMICALLY APPLIED OR PLATED FINISHES	
SCALE:	1:1
WEIGHT:	SEE TABLE
DR BY:	PB
CH BY:	J. WILLIAMSON
PROJECT #:	DO NOT SCALE DRAWING
DATE DR:	11/12/2018

PROPRIETARY AND CONFIDENTIAL	
THE INFORMATION CONTAINED IN THIS DRAWING IS THE SOLE PROPERTY OF NAVITAR. ANY REPRODUCTION IN PART OR AS A WHOLE WITHOUT THE WRITTEN PERMISSION OF NAVITAR IS PROHIBITED.	
0.0	1.0
inch	
0.0	25.0
mm	

LENS, 50mm, F/1.8, 1.1", 24MP C-MNT		
SIZE	PART NUMBER	REV
B	NMV-50M1.1	C