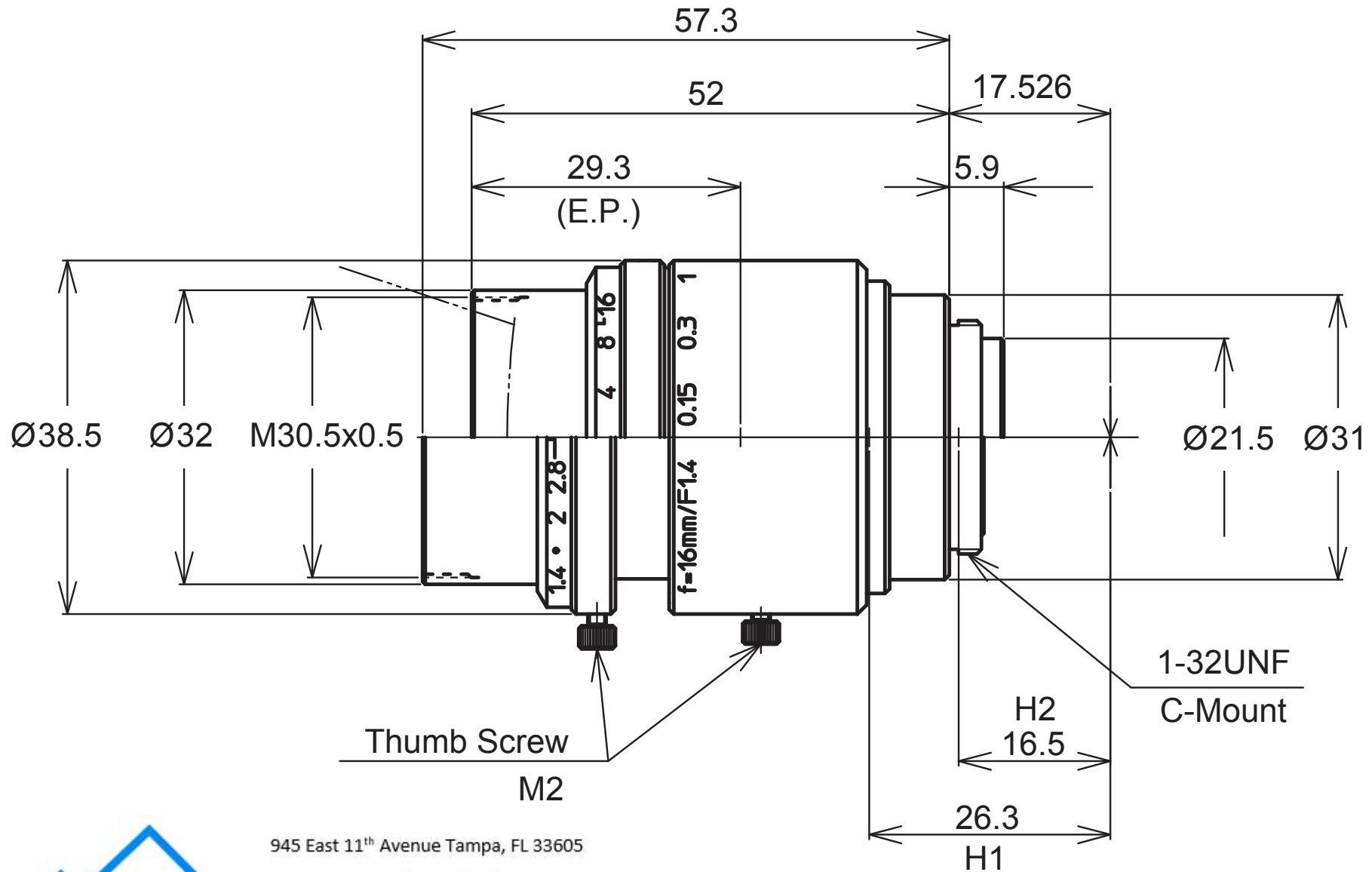


2/3" Format 5 Megapixel C-Mount Fixed Focal Length Lens

1-24831



945 East 11th Avenue Tampa, FL 33605

Phone: (813) 984-0125

Contact: Sales@pyramidimaging.com

<https://pyramidimaging.com>

