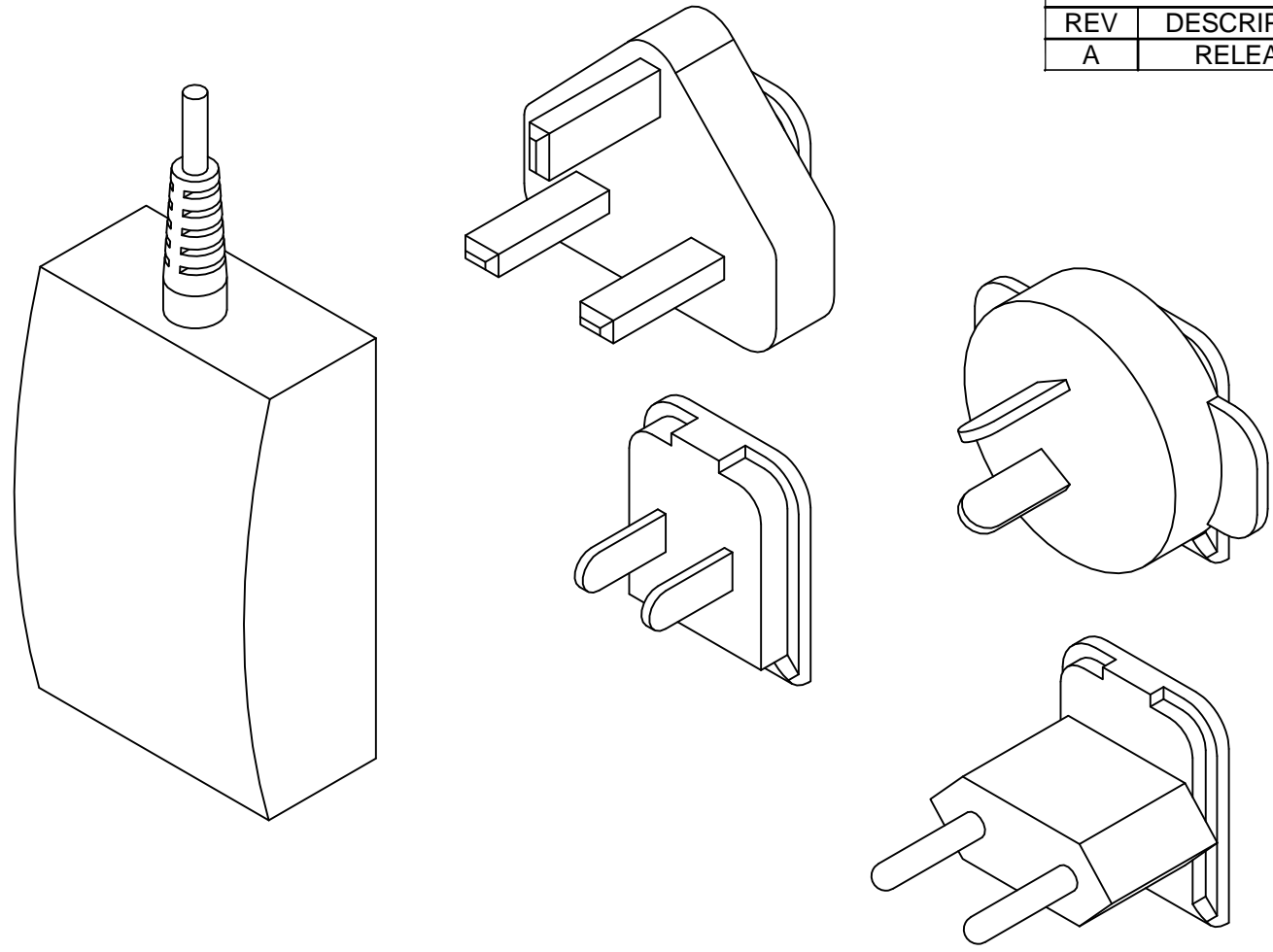


REVISION HISTORY

| REV | DESCRIPTION | DATE       | DR BY | CH BY |
|-----|-------------|------------|-------|-------|
| A   | RELEASE     | 05/02/2011 | CB    | REP   |




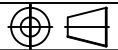
Pyramid Imaging

Tampa, FL

Phone: (813) 984-0125

Contact: Sales@pyramidimaging.com

<https://pyramidimaging.com>

|   |  |  |       |
|---|--|--|-------|
| UNLESS OTHERWISE SPECIFIED DIMENSIONS ARE IN INCHES AND INCLUDE CHEMICALLY APPLIED OR PLATED FINISHES |  | PROPRIETARY AND CONFIDENTIAL   |       |
| SCALE: 1:1  |  | THE INFORMATION CONTAINED IN THIS DRAWING IS THE SOLE PROPERTY OF NAVITAR. ANY REPRODUCTION IN PART OR AS A WHOLE WITHOUT THE WRITTEN PERMISSION OF NAVITAR IS PROHIBITED. |       |
| WEIGHT: 0.80 lbmass   |  |   |       |
| DR BY: C Boggio   |  |  |       |
| CH BY: R. PODLENA   |  | POWER SUPPLY, 12vDC, 100-240vAC  |       |
| PROJECT #: E2671  |  |  |       |
| DATE DR: 2/07/2011  |  |  |       |
| DO NOT SCALE DRAWING  |  | SIZE A   | REV A |
|                  |  | 1-40041  |       |
|   |  | SHEET 1 OF 1   |       |

Parts List

| UCFS | QTY | PART #  | DESCRIPTION                   |
|------|-----|---------|-------------------------------|
|      | 1   | 8-40039 | UNIVERSAL POWER SUPPLY, 12vDC |
|      | 1   | 8-62431 | PLUG KIT                      |