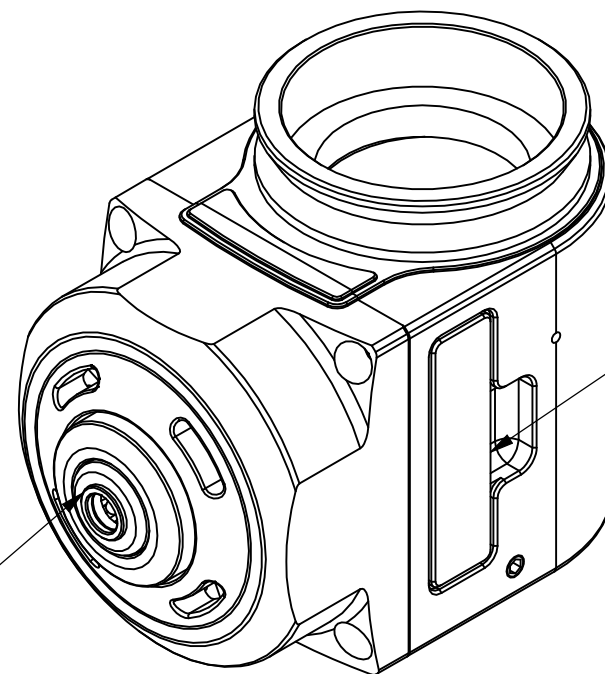


ELECTRICAL CHARACTERISTICS AT 350mA
 OPERATING TEMPERATURE = -40°C-120°C
 FORWARD VOLTAGE = 2.5-5.0V
 MAX. JUNCTION TEMPERATURE = 125°C

COLOR TEMPERAURE = 6500K (TYP.)

PLUG INPUT
 COMPATIBLE WITH BARREL POWER CABLES
 WITH CONNECTOR TYPE: 2.1mm ID, 5.5mm OD
 PLUG CABLE



POWER CABLE INPUT
 COMPATIBLE WITH 1-40381 CABLE

DIFFUSER SLOT



Pyramid Imaging

Tampa, FL

sales@pyramidimaging.com

www.pyramidimaging.com

813-786-3785

OUTLINE



RESOLV, ILLUM ASS'Y, COOL WHITE

UNLESS OTHERWISE SPECIFIED
 DIMENSIONS ARE IN INCHES [MM]
 AND INCLUDE CHEMICALLY
 APPLIED OR PLATED FINISHES

PROPRIETARY AND CONFIDENTIAL

THE INFORMATION CONTAINED IN THIS
 DRAWING IS THE SOLE PROPERTY OF
 NAVITAR. ANY REPRODUCTION IN PART
 OR AS A WHOLE WITHOUT THE WRITTEN
 PERMISSION OF NAVITAR IS PROHIBITED.

SCALE: 1:1

WEIGHT: 0.23 kg

DR BY: J. WILLIAMSON

CH BY: DEROSA

PROJECT #: E3673

DATE DR: 5/5/2020

0.0 inch 1.0

0.0 mm 25.0

DO NOT SCALE DRAWING



SIZE

B

PART NUMBER

SK-1-81402

REV

1