

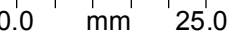

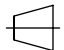


Pyramid Imaging

Tampa, FL
 sales@pyramidimaging.com
 www.pyramidimaging.com
 813-786-3785

OUTLINE

UNLESS OTHERWISE SPECIFIED DIMENSIONS ARE IN INCHES AND INCLUDE CHEMICALLY APPLIED OR PLATED FINISHES		THE CONTENTS OF THIS DOCUMENT ARE PROPRIETARY TO NAVITAR, ITS USE IS AUTHORIZED ONLY FOR RESPONDING TO REQUEST FOR QUOTATION OR PERFORMANCE OF WORK FOR NAVITAR		 ROCHESTER, NEW YORK	
SCALE:	1:1	0.0 inch 1.0  0.0 mm 25.0 		T-F MOUNT CONVERTER	
WEIGHT:					
DR:	JK	DO NOT SCALE DRAWING		SIZE A	3-62923 SHEET 1 OF 1
CH:	PB				
PROJECT #:		 		REV B	
DATE DR:	10/6/2004				