



Distagon T* 2/35



Features

- Fast f/2.0 aperture
- Precise manual focusing
- Robust full-metal construction
- Identical color reproduction of all models
- For industrial cameras with F-Mount up to sensor sizes of 24x36 mm or 43mm line sensors.

ZF-I: Industrial Edition

Features special screws to fix focus and aperture settings even in rough situations.

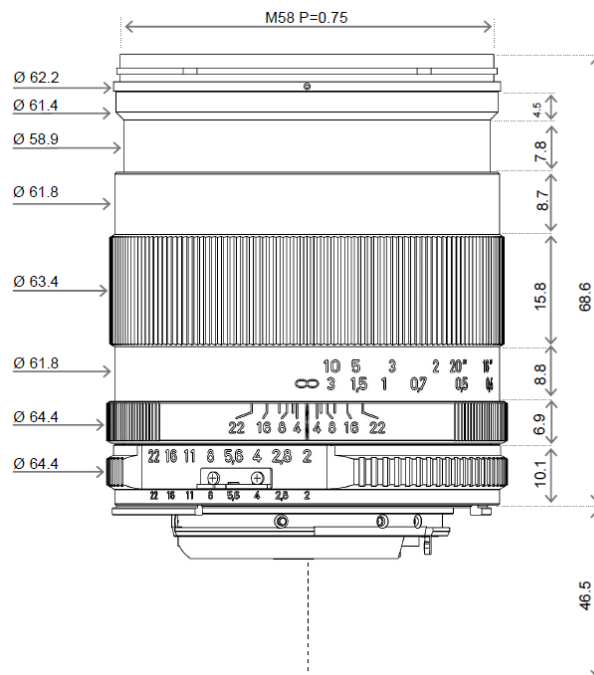
Camera Mounts

Available for other camera mounts such as EF, or M42 screw mount.



Distagon T* 2/35

Technical Specifications



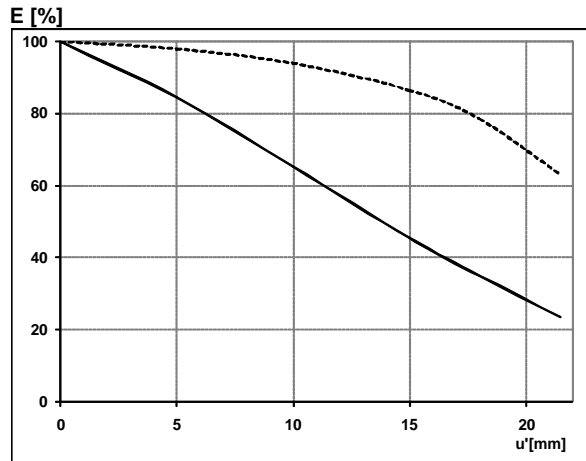
Focal length	35 mm
Aperture range	f/2 – f/22 (1/ 2 stop intervals)
Number of elements / groups	9 / 7
Min. working distance (object to sensor)	300 mm (0.98 ft.) – ∞
Min. free working distance	180 mm (0.59 ft.) – ∞
Angular field* (diag. / horiz. / vert.)	62 / 53 / 37°
Max. diameter of image field	43 mm (1.7")
Flange focal length	F-Mount: 46.5 mm (1.8"); M42-Mount: 45,5 mm
Coverage at close range	128 x 191 mm (5.0 x 7.5"), line 228 mm (8.9")
Image ratio at close range	1:5.3
Filter-thread	M 58 x 0.75
Weight	530 g (1.06 lbs.)
Camera mount	F bayonet, M42, EF

* referring to 35 mm format



Distagon T* 2/35

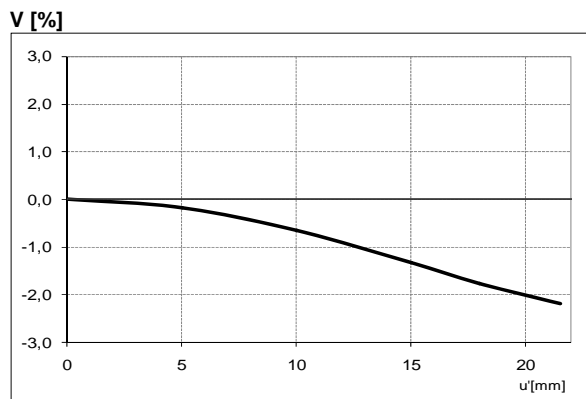
Relative Illuminance*



The relative illumination shows the decrease in image brightness from the image center to the edge in percent.

— f-number 2
... f-number 4

Relative Distortion*



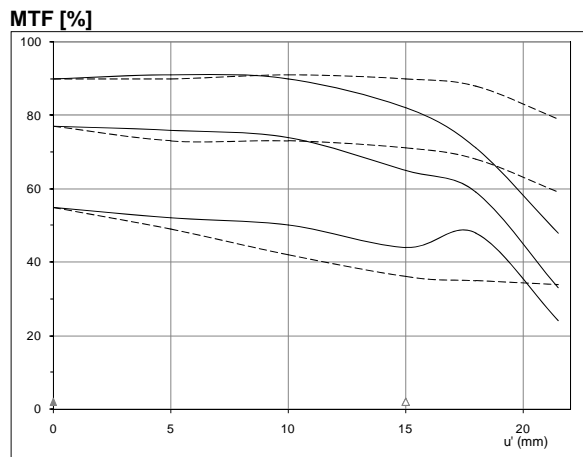
The relative distortion shows the deviation of the actual image height from the ideal one in percent.

**Data for infinite focus setting*



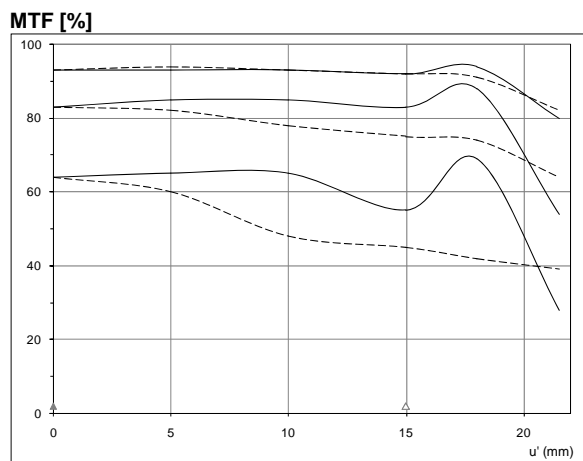
Distagon T* 2/35

MTF Charts*



The Modulation Transfer (MTF) as a function of image height (u') and slit orientation (sagittal, tangential) has been measured with white light at spatial frequencies of $R = 10, 20$ and 40 cycles/mm.

f-number 2
— Saggital
... Tangential

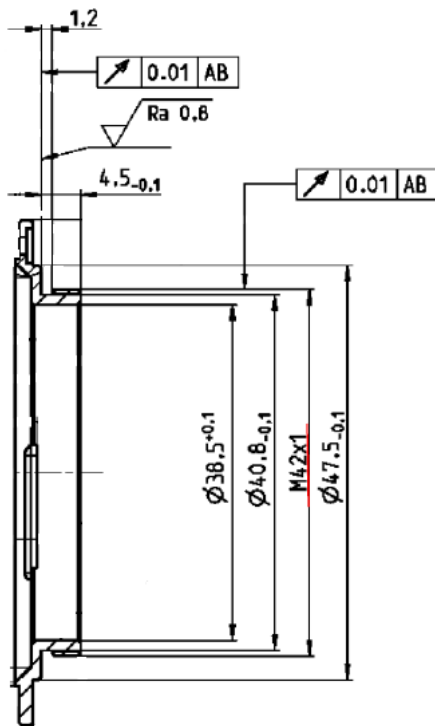


f-number 4
— Saggital
... Tangential

**Data for infinite focus setting*



Distagon T* 2/35



M42 Mount for 45,5 mm Flange Focal Distance

The diameter of the camera/lens adapter must not exceed 55 mm at the lens side!

