



Pyramid Imaging

Tampa, FL

sales@pyramidimaging.com

www.pyramidimaging.com

813-786-3785

# ZEISS Interlock 2/100



## Features

- Fast f/2.0 aperture
- Low distortion
- Precise manual focusing
- Robust full-metal construction
- Continuous aperture setting or click stop
- For industrial cameras up to sensor sizes of 24x36 mm or 41mm line sensors
- High optical performance both at infinity and at 1:2 scale
- Features special screws to fix focus and aperture settings even in rough situations

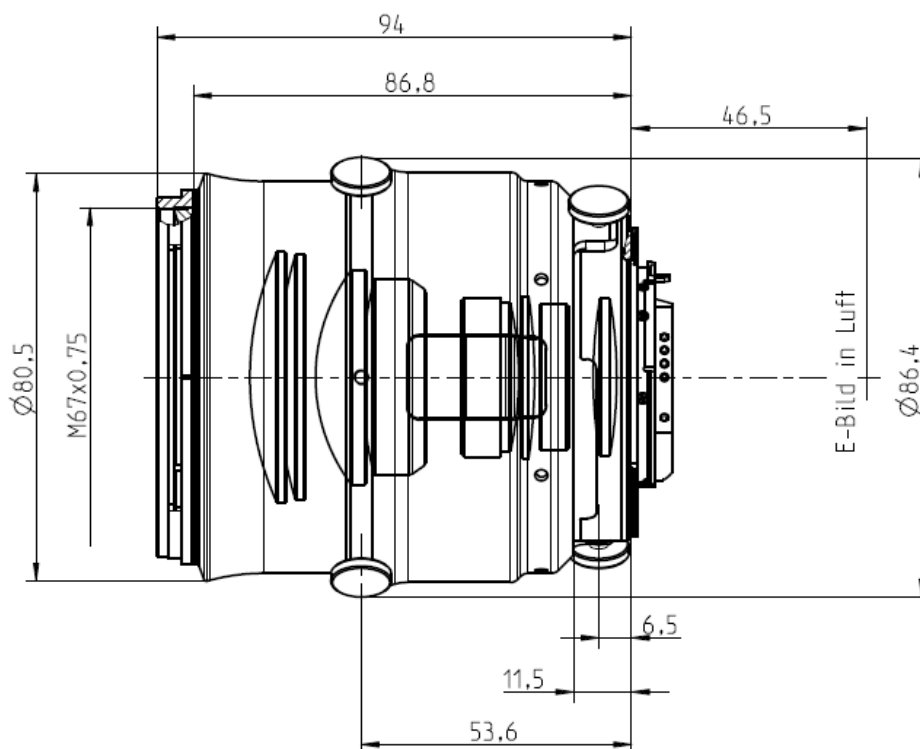
## Camera Mounts

Available with F mount or M42 screw mount



# ZEISS Interlock 2/100

## Technical Specifications



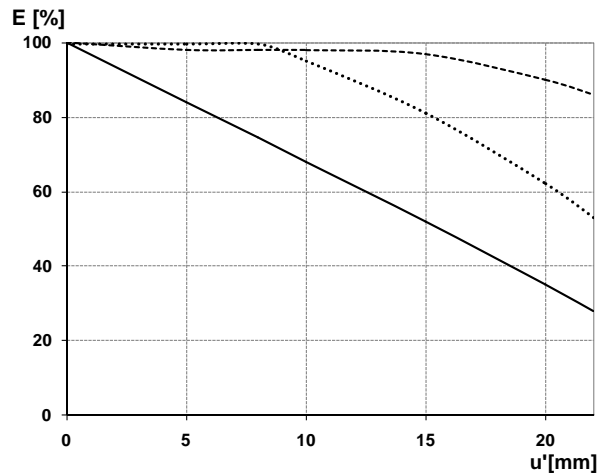
<b>Focal length</b>	100 mm
<b>Aperture range</b>	f/2 – f/22 (1/ 2 stop intervals or continuous)
<b>Number of elements / groups</b>	9 / 8
<b>Min. working distance (object to sensor)</b>	440 mm (1.44 ft.) – ∞
<b>Min. free working distance</b>	250 mm (0.82 ft.) – ∞
<b>Angular field* (diag. / horiz. / vert.)</b>	25 / 21 / 14 °
<b>Max. diameter of image field</b>	43 mm (1.7")
<b>Flange focal length</b>	F-Mount: 46,5 mm (1.8"); M42-Mount: 45,5 mm
<b>Coverage at close range</b>	48 x 72 mm (1.9 x 2.8"), line 86 mm (3.3")
<b>Image ratio at close range</b>	1:2
<b>Filter-thread</b>	M 67 x 0.75
<b>Weight</b>	875 g (1.9 lbs.)
<b>Camera mount</b>	F bayonet, M42

\* referring to 35 mm format



# ZEISS Interlock 2/100

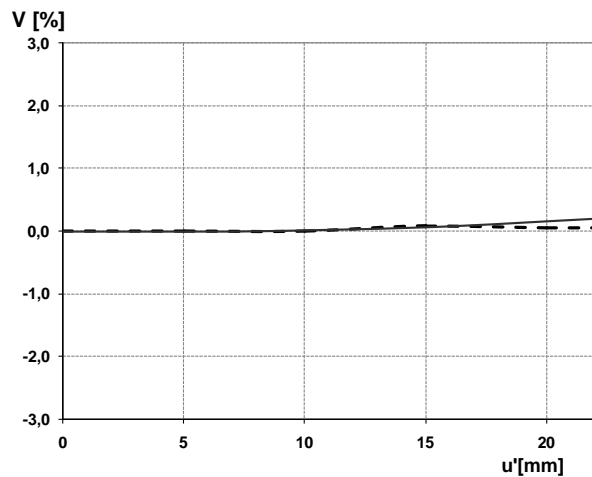
## Relative Illuminance\*



The relative illuminance shows the decrease in image brightness from the image center to the edge in percent.

- f-number 2
- ... f-number 2 M=1:2
- f-number 4

## Relative Distortion\*



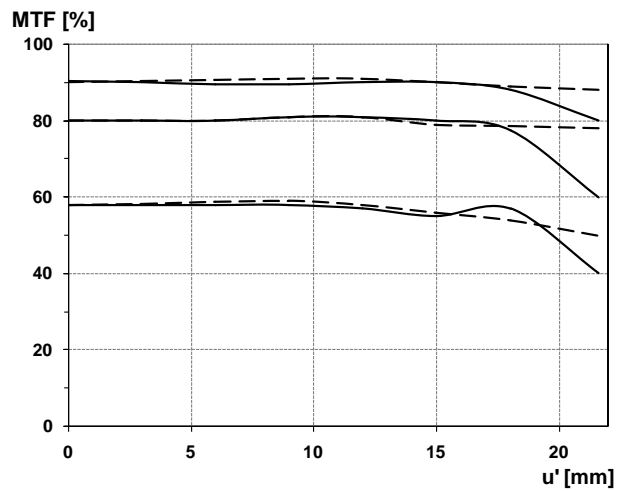
The relative distortion shows the deviation of the actual image height from the ideal one in percent.

\*Data for infinite focus setting



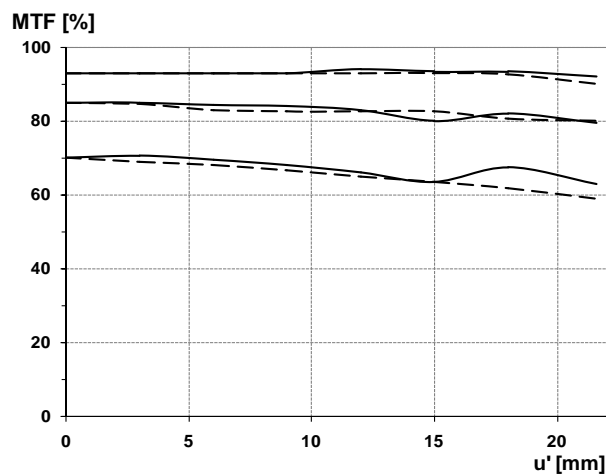
# ZEISS Interlock 2/100

## MTF Charts\*



The Modulation Transfer (MTF) as a function of image height ( $u$ ) and slit orientation (sagittal, tangential) has been measured with white light at spatial frequencies of  $R = 10, 20$  and  $40$  cycles/mm.

f-number 2  
— Sagittal  
... Tangential



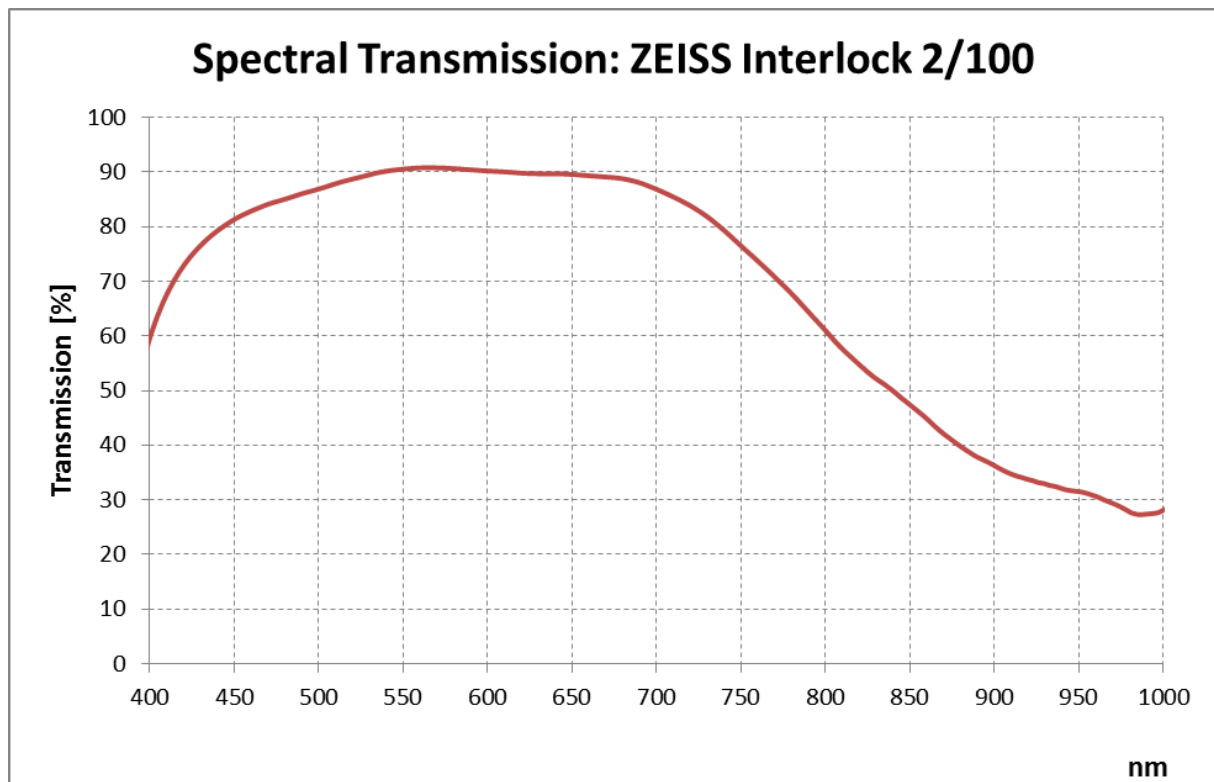
f-number 4  
— Sagittal  
... Tangential

\*Data for infinite focus setting



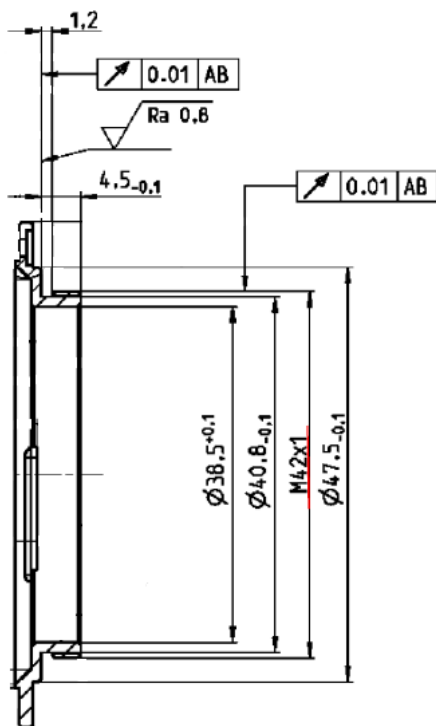
# ZEISS Interlock 2/100

## Spectral Transmission





# ZEISS Interlock 2/100



M42 Mount for 45,5 mm Flange Focal Distance

The diameter of the camera/lens adapter must not exceed 55 mm at the lens side!