



# ZEISS Interlock 2.8/18



## Features

- 100° angular field with highest optical performance
- Precise manual focusing
- Robust full-metal construction
- Continuous aperture setting or click stop
- For industrial cameras up to sensor sizes of 24x36 mm or 41mm line sensors
- Features special screws to fix focus and aperture settings even in rough situations
- High contrast over the entire image field

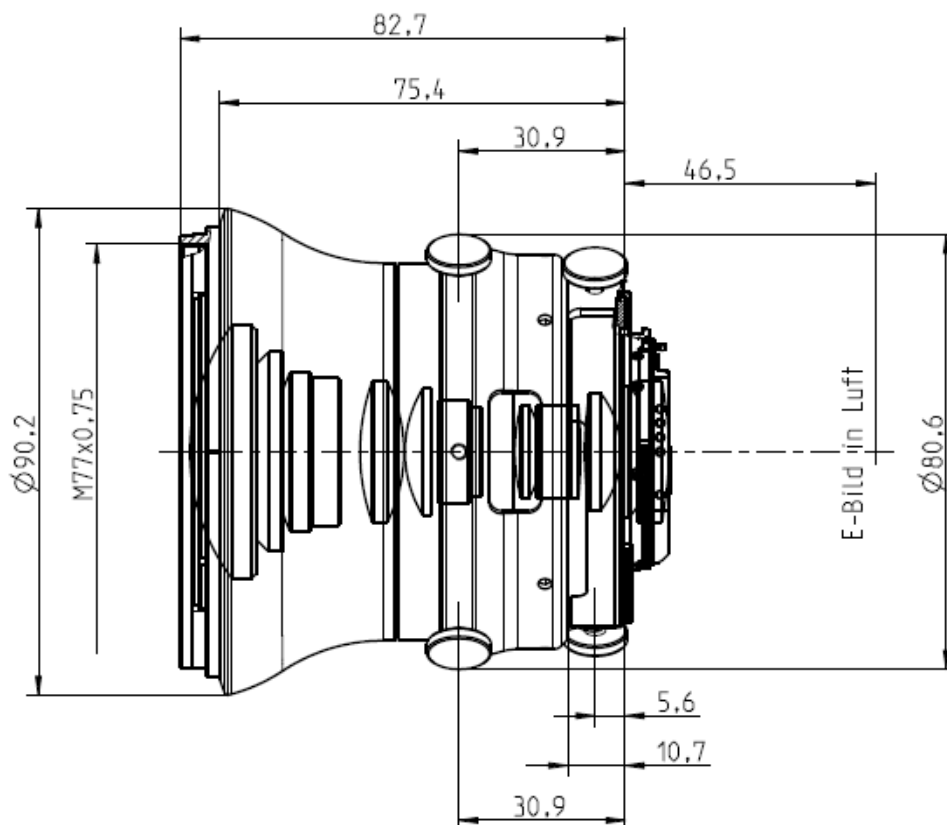
### Camera Mounts

Available with F mount or M42 screw mount



# ZEISS Interlock 2.8/18

## Technical Specifications



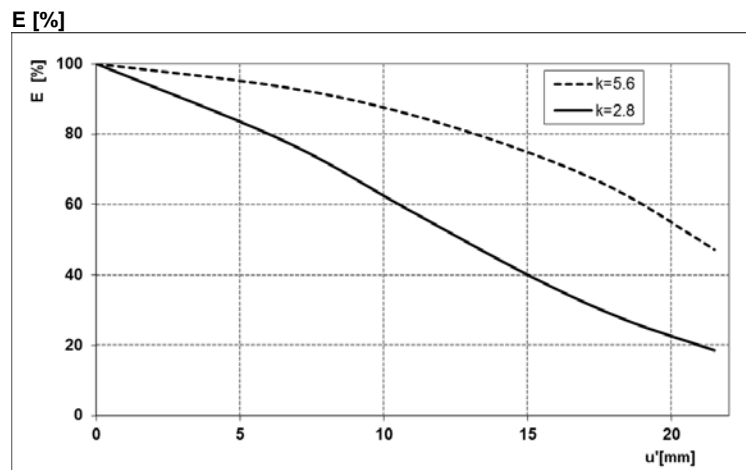
<b>Focal length</b>	18 mm
<b>Aperture range</b>	f/2.8 – f/22 (1/2 stop intervals or continuous)
<b>Number of elements / groups</b>	14/12
<b>Min. working distance (object to sensor)</b>	250 mm (0.82 ft.) - $\infty$
<b>Min. free working distance</b>	120 mm (0.39 ft.) - $\infty$
<b>Angular field* (diag. / horiz. / vert.)</b>	99,9 / 89,4 / 66,5°
<b>Max. diameter of image field</b>	43 mm (1.7")
<b>Flange focal length</b>	F-Mount: 46.5 mm (1.8"); M42-Mount: 45,5 mm
<b>Coverage at close range</b>	274 x 180 mm (10.8 x 7.1") line 318 mm (12.5")
<b>Image ratio at close range</b>	1:7.4
<b>Filter-thread</b>	M 77 x 0.75
<b>Weight</b>	722 g (1.59 lbs.)
<b>Camera mount</b>	F bayonet, M42

\* referring to 35 mm format



# ZEISS Interlock 2.8/18

## Relative Illuminance\*

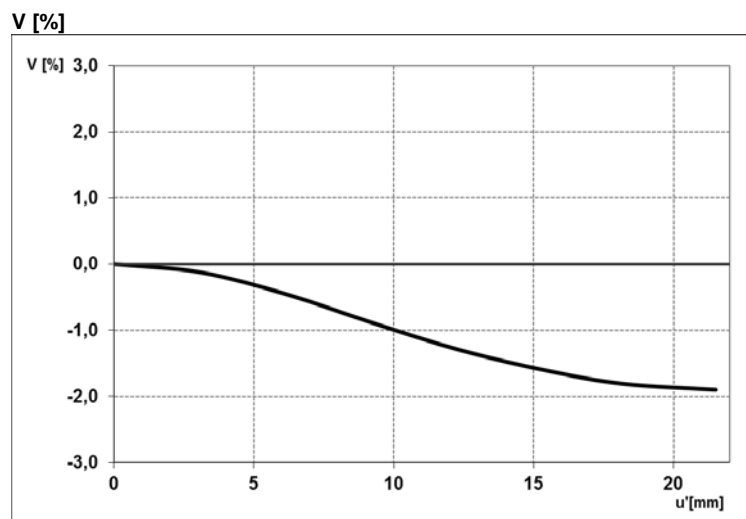


The relative illumination shows the decrease in image brightness from the image center to the edge in percent.

— f-number = 2.8

... f-number = 5.6

## Relative Distortion\*



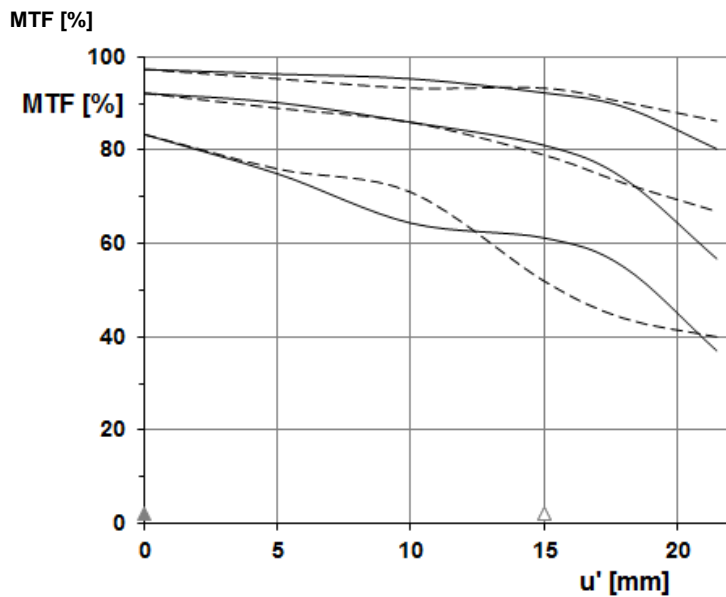
The relative distortion shows in percent the deviation of the actual from the ideal image height.

\*Data for infinite focus setting



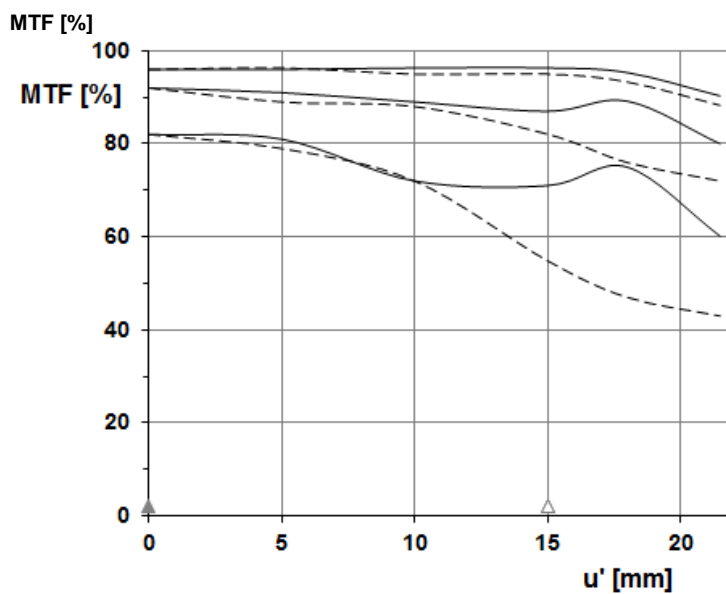
# ZEISS Interlock 2.8/18

## MTF Charts\*



Modulation transfer MTF as a function of the image height ( $u'$ ) and slit orientation. White light. Spatial frequencies  $R=10, 20$  and  $40$  cycles/mm.

f-number 2.8  
— Sagittal  
... Tangential



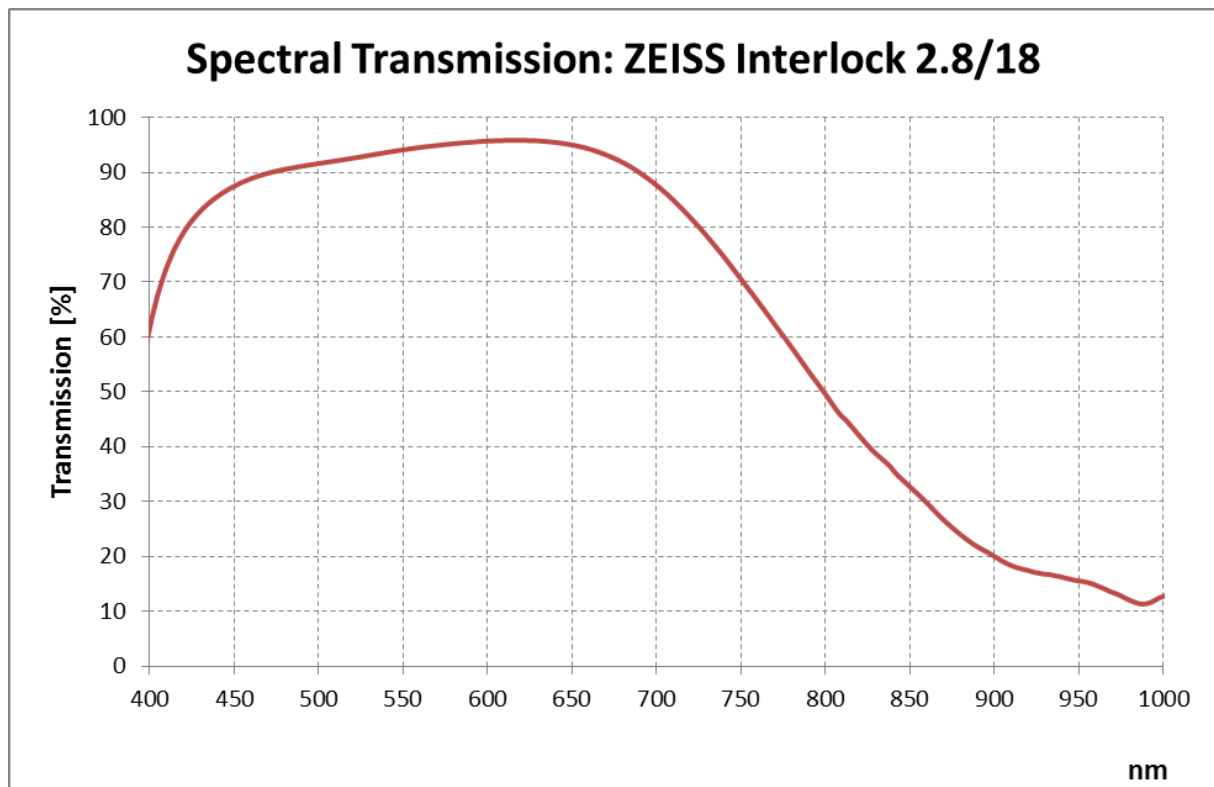
f-number 5.6  
— Sagittal  
... Tangential

\*Data for infinite focus setting



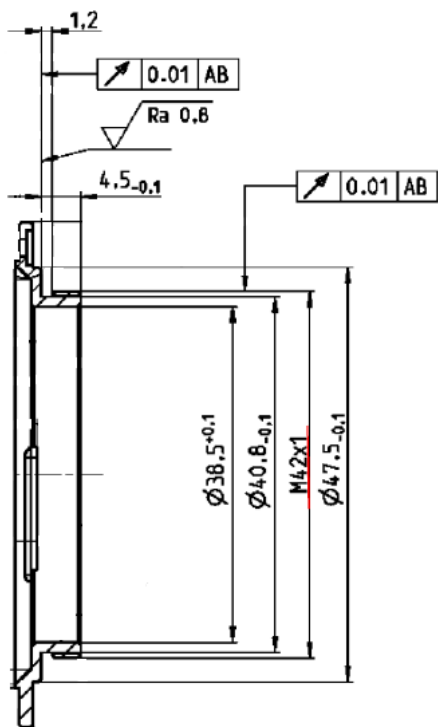
# ZEISS Interlock 2.8/18

## Spectral Transmission





# ZEISS Interlock 2.8/18



M42 Mount for 45,5 mm Flange Focal Distance

The diameter of the camera/lens adapter must not exceed 55 mm at the lens side!