

型番	Product Name	HF50HA-1S
焦点距離 [mm]	Focal length [mm] (design value)	50 (49.56)
絞り範囲 (F値)	Iris range (Fnumber)	F2.3-F22
画角 (H×V)	Angle of view	10.1°×7.6° (2/3")
フォーカス範囲 (レンズメカ先端より) [mm] ※	Working distance (from front of lens barrel) [mm] ※	∞ - 500
操作方法:フォーカス	Operation of focus	Manual
操作方法:アイリス	Operation of iris	Manual
フィルタ径 [mm]	Filter thread [mm]	M25.5×0.5
マウント	Mount	C-mount
質量 (約) [g]	Weight (approx.) [g]	40
適合センサーサイズ (標準)	Sensor size (std.)	2/3" (6.2μm)
適合センサーサイズ (最大)	Sensor size (max.)	2/3" (6.2μm)
バックフォーカス (空気換算長) [mm]	Back focal length (in air) [mm]	15.24
フランジバック [mm]	Flange back [mm]	17.53
入射瞳位置 (マウント面から) [mm]	Entrance pupil position (from Mount) [mm]	6.05
射出瞳位置 (結像面より) [mm]	Exit pupil position (from image plane) [mm]	-25.14
前側主点 (マウント面から) [mm]	Front principal point (from Mount) [mm]	-42.63
後側主点 (マウント面から) [mm]	Rear principal point (from Mount) [mm]	-32.03
主点間隔 [mm]	Distance between the principal points [mm]	10.60
TVディストーション [%]	TV distortion [%]	0.06
外形寸法 [mm]	Dimension [mm]	φ29.5×29.5
主光線入射角度 [°]	Chief Ray Angle [°]	12.25
周辺光量比 (F4.0・対角端) [%]	Relative illumination [%] (Aperture: F4.0, Image height : at diagonal)	97
周辺光量比 (開放・対角端) [%]	Relative illumination [%] (Aperture: at full open, Image height : at diagonal)	61
使用温度範囲	Operation Temperature Range	-10°C ~ +50°C
保存温度範囲	Storage Temperature Range	-30°C ~ +60°C

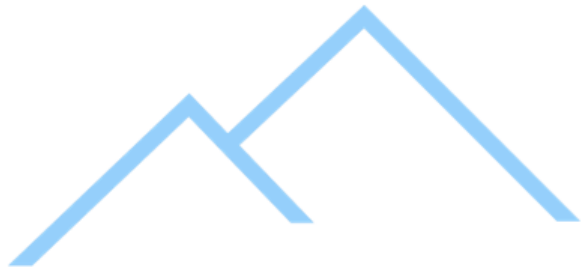
※フォーカス範囲の定義をピント調整が可能な範囲に変更しました。(2020年3月)

※Changed the definition of working distance to a range where focus adjustment is possible.(Mar. 2020)

These specifications are subject to change without notice.

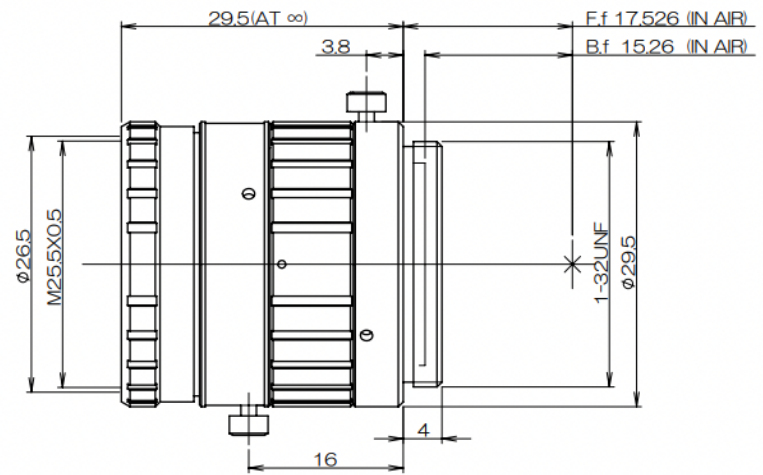
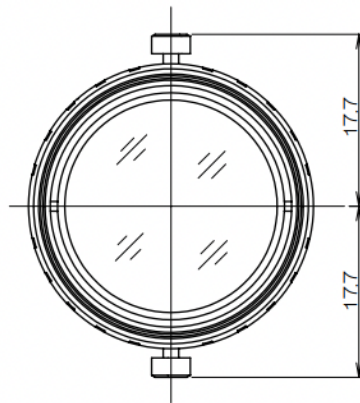
Entrance pupil position and Exit pupil position are calculated by "chief ray of 60% image height".

17-Oct-22



Pyramid Imaging

HF50HA-1S



レンズ本体：外観図
Outline drawing
HF50HA-1S

Oct 04 2018