

| 型番                         | Product Name   | HF75HA-1S          |
|----------------------------|--|--------------------|
| 焦点距離 [mm]                  | Focal length [mm]<br>(design value)  | 75<br>(75.01)      |
| 絞り範囲 (F値)                  | Iris range (Fnumber)   | F2.8-F22           |
| 画角 (H×V)                   | Angle of view  | 6.7° × 5.0° (2/3") |
| フォーカス範囲 (レンズメカ先端より) [mm] ※ | Working distance<br>(from front of lens barrel) [mm] ※                               | ∞ - 1,100          |
| 操作方法:フォーカス                 | Operation of focus   | Manual             |
| 操作方法:アイリス                  | Operation of iris  | Manual             |
| フィルタ径 [mm]                 | Filter thread [mm]   | M30.5 × 0.5        |
| マウント                       | Mount  | C-mount            |
| 質量 (約) [g]                 | Weight (approx.) [g]   | 50                 |
| 適合センサーサイズ (標準)             | Sensor size (std.)   | 2/3" (6.2μm)       |
| 適合センサーサイズ (最大)             | Sensor size (max.)   | 2/3" (6.2μm)       |
| バックフォーカス (空気換算長) [mm]      | Back focal length (in air) [mm]  | 15.75              |
| フランジバック [mm]               | Flange back [mm]   | 17.53              |
| 入射瞳位置 (マウント面から) [mm]       | Entrance pupil position<br>(from Mount) [mm]   | 35.48              |
| 射出瞳位置 (結像面より) [mm]         | Exit pupil position<br>(from image plane) [mm]                                       | -26.71             |
| 前側主点 (マウント面から) [mm]        | Front principal point (from Mount) [mm]  | -100.77            |
| 後側主点 (マウント面から) [mm]        | Rear principal point (from Mount) [mm]   | -57.48             |
| 主点間隔 [mm]                  | Distance between the principal points [mm]   | 43.29              |
| TV歪み [%]                   | TV distortion [%]  | 0.36               |
| 外形寸法 [mm]                  | Dimension [mm]   | φ31.5 × 48.0       |
| 主光線入射角度 [°]                | Chief Ray Angle [°]  | 11.57              |
| 周辺光量比 (F4.0・対角端) [%]       | Relative illumination [%]<br>(Aperture: F4.0,<br>Image height : at diagonal)         | 88                 |
| 周辺光量比 (開放・対角端) [%]         | Relative illumination [%]<br>(Aperture: at full open,<br>Image height : at diagonal) | 68                 |
| 使用温度範囲                     | Operation Temperature Range  | -10°C ~ +50°C      |
| 保存温度範囲                     | Storage Temperature Range  | -30°C ~ +60°C      |

※フォーカス範囲の定義をピント調整が可能な範囲に変更しました。(2020年3月)

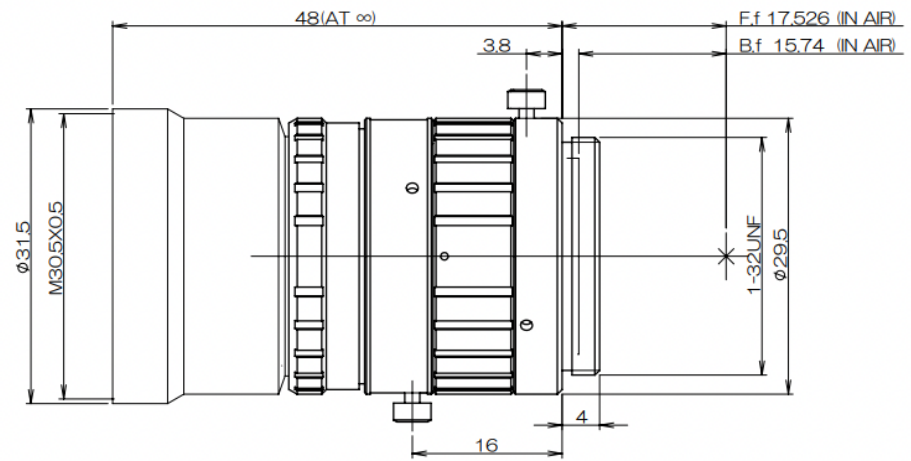
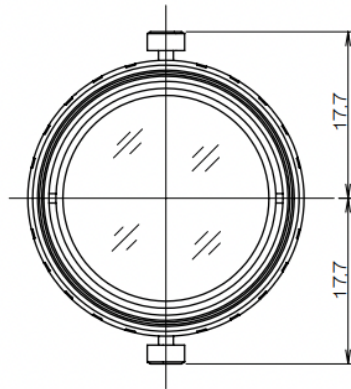
※Changed the definition of working distance to a range where focus adjustment is possible.(Mar. 2020)

These specifications are subject to change without notice.

Entrance pupil position and Exit pupil position are calculated by "chief ray of 60% image height".



HF75HA-1S



レンズ本体：外観図  
Outline drawing  
HF75HA-1S

Oct 04 2018