

型番	Product Name	FE185C057HA-1
焦点距離 [mm]	Focal length [mm] (design value)	1.8 (1.78)
絞り範囲 (F値)	Iris range (Fnumber)	F1.4 - F16
画角 (H × V)	Angle of view	185.0° × 185.0° (2/3" (φ5.7))
		185.0° × 154.1° (1/2")
		154.1° × 115.4° (1/3")
フォーカス範囲 (レンズ先端より) [mm]	Working distance (from front of lens) [mm]	∞ - 100
操作方法:フォーカス	Operation of focus	fixed
操作方法:アイリス	Operation of iris	Manual
フィルタ径 [mm]	Filter thread [mm]	-
マウント	Mount	C-mount
質量 (約) [g]	Weight (approx.) [g]	135
適合センサーサイズ (標準)	Sensor size (std.)	-
適合センサーサイズ (最大)	Sensor size (max.)	2/3" (3.45μm)
バックフォーカス (空気換算長) [mm]	Back focal length (in air) [mm]	9.7
フランジバック [mm]	Flange back [mm]	17.53
入射瞳位置 (マウント面から) [mm]	Entrance pupil position (from Mount) [mm]	-41.63
射出瞳位置 (結像面より) [mm]	Exit pupil position (from image plane) [mm]	-69.26
前側主点 (マウント面から) [mm]	Front principal point (from Mount) [mm]	-37.55
後側主点 (マウント面から) [mm]	Rear principal point (from Mount) [mm]	15.75
主点間隔 [mm]	Distance between the principal points [mm]	53.3
光学歪み [%]	Optical distortion [%]	-0.80 (y=f*θ)
外形寸法 [mm]	Dimension [mm]	φ56.5×52.2
主光線入射角度 [°]	Chief Ray Angle [°]	2.11
周辺光量比 (F4.0・φ5.7) [%]	Relative illumination [%] (Aperture: F4.0, Image height : at φ5.7)	97
周辺光量比 (開放・φ5.7) [%]	Relative illumination [%] (Aperture: at full open, Image height : at φ5.7)	73
使用温度範囲	Operation Temperature Range	-10°C ~ 50°C
保存温度範囲	Storage Temperature Range	-20°C ~ 60°C

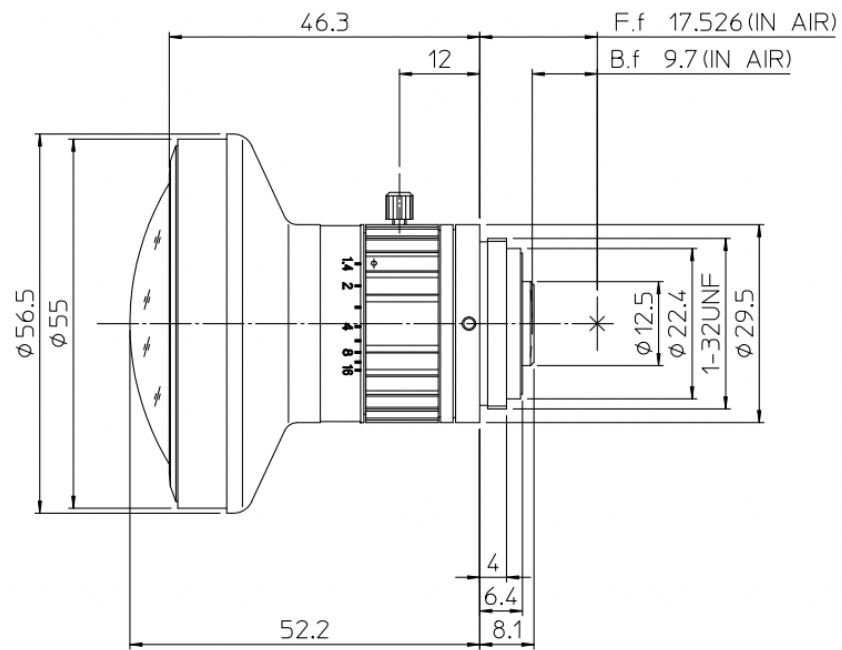
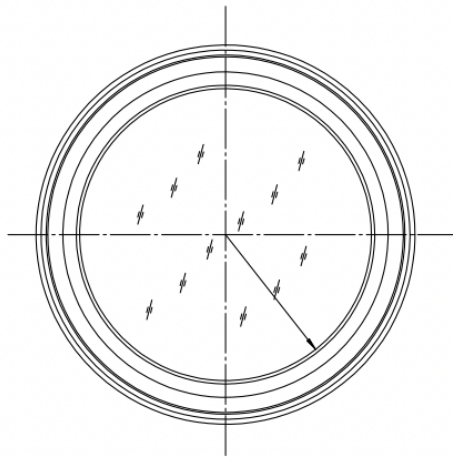
These specifications are subject to change without notice.

Entrance pupil position and Exit pupil position are calculated by "chief ray of 60% image height".

17-Oct-22



FE185C057HA-1



レンズ本体：外觀図
Outline drawing
FE185C057HA-1

Apr 27, 2018