

型番	Product Name		HF16XA-1F
焦点距離 [mm]	Focal length [mm] (design value)		16 (15.87)
絞り (F値)	標準プレート	Standard Plate	F1.6
	プレートC	Plate "C"	F4
	プレートE	Plate "E"	F8
画角 (H × V)	Angle of view		31.4° × 23.7° (2/3")
フォーカス範囲 (レンズメカ先端より) [mm]	Working distance (from front of lens barrel) [mm]		∞ - 100
必要なねじ込み量 [mm]*2	Required maximum screw-in length [mm]*2		7.8
操作方法:フォーカス	Operation of focus		Fixed
操作方法:アイリス	Operation of iris		Fixed
フィルタ径 [mm]	Filter thread [mm]		M25.5 × 0.5
マウント	Mount		C-mount
質量 (約) [g]	Weight (approx.) [g]		94
適合センサーサイズ (標準)	Sensor size (std.)		2/3" (3.45μm)
適合センサーサイズ (最大)	Sensor size (max.)		1/1.2" (4.5μm)
バックフォーカス (空気換算長) [mm]	Back focal length (in air) [mm]		10.66
フランジバック [mm]	Flange back [mm]		17.526
入射瞳位置 (マウント面から) [mm]*3	Entrance pupil position (from Mount) [mm]*3		-26.80
射出瞳位置 (結像面より) [mm]*3	Exit pupil position (from image plane) [mm]*3		-258.03
前側主点 (マウント面から) [mm]	Front principal point (from Mount) [mm]		-12.33
後側主点 (マウント面から) [mm]	Rear principal point (from Mount) [mm]		1.65
主点間隔 [mm]	Distance between the principal points [mm]		13.98
TVディストーション [%]	TV distortion [%]		-0.60
外形寸法 [mm]	Dimension [mm]		φ34 × 54.0
主光線入射角度 [°]	Chief Ray Angle [°]		0.65
周辺光量比 [%] (対角端)	標準プレート	Standard Plate	48
	プレートC	Plate "C"	90
	プレートE	Plate "E"	95
使用温度範囲	Operation Temperature Range		-10°C ~ +50°C
保存温度範囲	Storage Temperature Range		-30°C ~ +60°C

*1 These specifications are subject to change without notice.

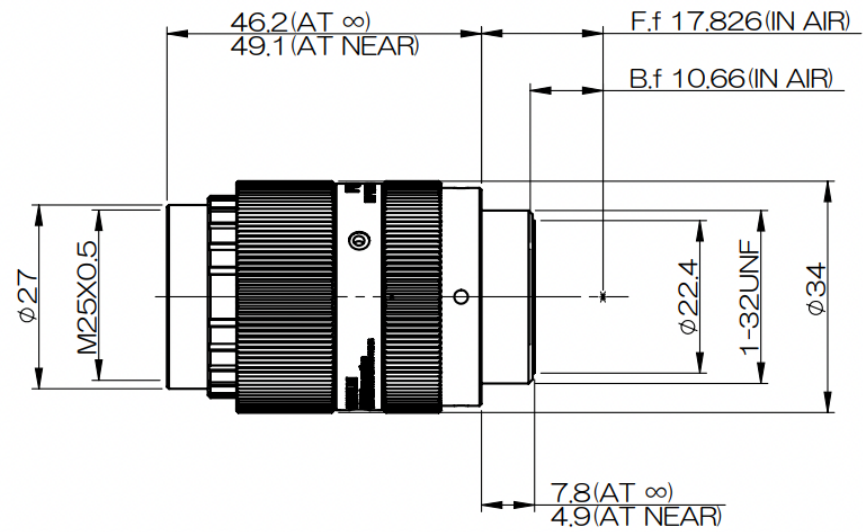
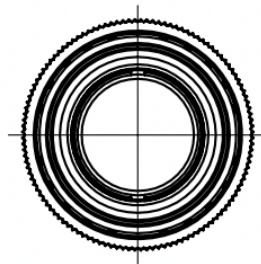
*2 This is the maximum screw-in length required when the object distance is used with INF.

Be sure to check this lens can be attached to your camera before purchase.

*3 Entrance pupil position and Exit pupil position are calculated by "chief ray of 60% image height".



HF16XA-1F



SS00003223-100

レンズ本体：外観図
Outline drawing
HF16XA-1F

Dec 02.2020