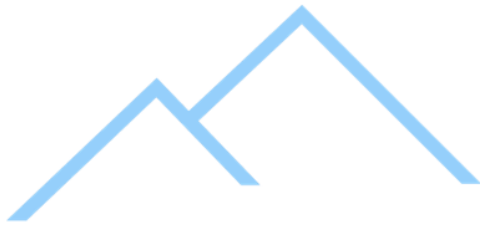


型番	Product Name	HF1218-12M
焦点距離 [mm]	Focal length [mm] (design value)	12 (12.30)
絞り範囲 (F値)	Iris range (Fnumber)	F1.8-F22
画角 (H × V)	Angle of view	39.3° × 30.0° (2/3")
フォーカス範囲 (レンズメカ先端より) [mm]	Working distance (from front of lens barrel) [mm]	∞ - 100
操作方法:フォーカス	Operation of focus	Manual
操作方法:アイリス	Operation of iris	Manual
フィルタ径 [mm]	Filter thread [mm]	M30.5 × 0.5
マウント	Mount	C-mount
質量 (約) [g]	Weight (approx.) [g]	85
適合センサーサイズ (標準)	Sensor size (std.)	2/3" (2.1μm)
適合センサーサイズ (最大)	Sensor size (max.)	1/1.2" (4.5μm)
バックフォーカス (空気換算長) [mm]	Back focal length (in air) [mm]	16.66
フランジバック [mm]	Flange back [mm]	17.526
入射瞳位置 (マウント面から) [mm]	Entrance pupil position (from Mount) [mm]	-29.41
射出瞳位置 (結像面より) [mm]	Exit pupil position (from image plane) [mm]	-36.75
前側主点 (マウント面から) [mm]	Front principal point (from Mount) [mm]	-21.64
後側主点 (マウント面から) [mm]	Rear principal point (from Mount) [mm]	5.23
主点間隔 [mm]	Distance between the principal points [mm]	26.87
TV歪み [%]	TV distortion [%]	0.18
外形寸法 [mm]	Dimension [mm]	φ33 × 52.5
主光線入射角度 [°]	Chief Ray Angle [°]	8.34
周辺光量比 (F4.0・対角端) [%]	Relative illumination [%] (Aperture: F4.0, Image height : at diagonal)	96
周辺光量比 (開放・対角端) [%]	Relative illumination [%] (Aperture: at full open, Image height : at diagonal)	54
使用温度範囲	Operation Temperature Range	-10°C ~ +50°C
保存温度範囲	Storage Temperature Range	-20°C ~ +60°C

These specifications are subject to change without notice.

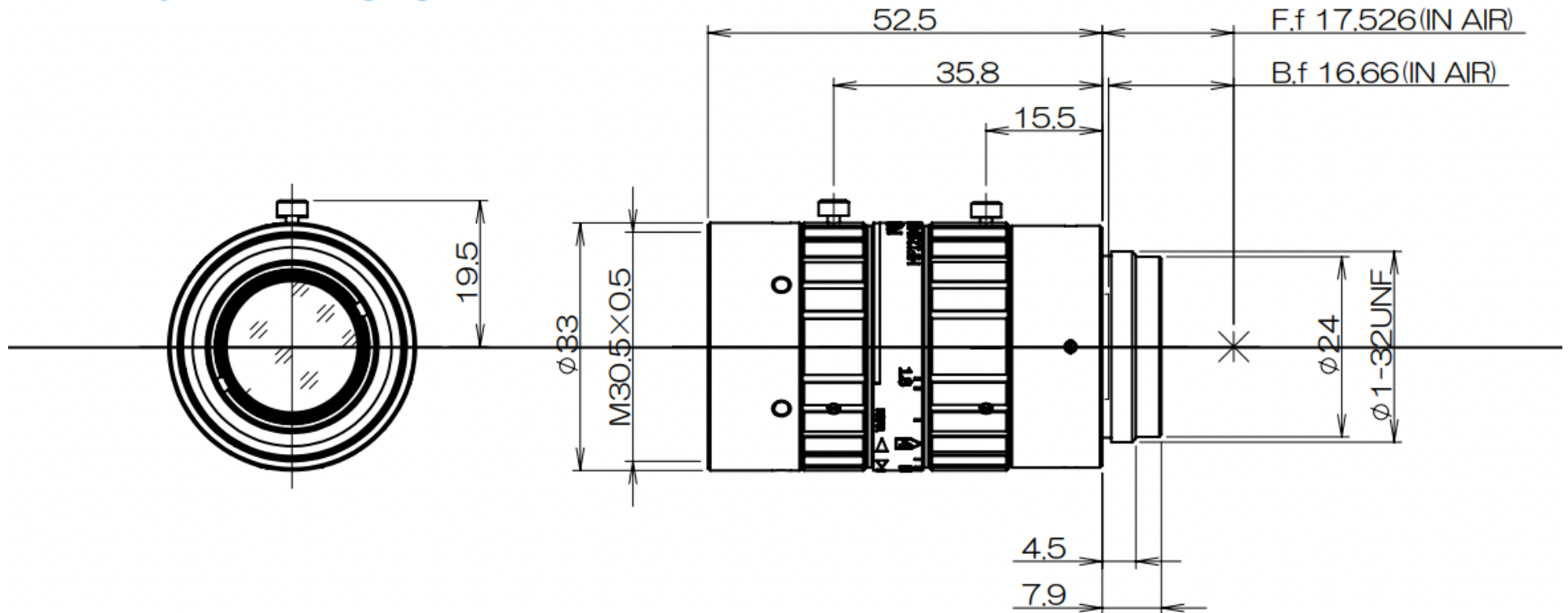
Entrance pupil position and Exit pupil position are calculated by "chief ray of 60% image height".

17-Oct-22



Pyramid Imaging

HF1218-12M



BU00006550-100

レンズ本体：外観図
Outline drawing
HF1218-12M

March 9, 2016