

型番	Product Name	CF8ZA-1S
焦点距離 [mm]	Focal length [mm] (design value)	8 (8.31)
絞り範囲 (F値)	Iris range (Fnumber)	F1.8-F16
画角 (H × V)	Angle of view	85.7° × 67.5° (1.1")
フォーカス範囲 (レンズメカ先端より) [mm]	Working distance (from front of lens barrel) [mm]	∞ - 100
操作方法:フォーカス	Operation of focus	Manual
操作方法:アイリス	Operation of iris	Manual
フィルタ径 [mm]	Filter thread [mm]	M52 × 0.75
マウント	Mount	C-mount
質量 (約) [g]	Weight (approx.) [g]	180
適合センサーサイズ (標準)	Sensor size (std.)	1.1" (2.5μm)
適合センサーサイズ (最大)	Sensor size (max.)	1.2" (2.74μm)
バックフォーカス (空気換算長) [mm]	Back focal length (in air) [mm]	19.39
フランジバック [mm]	Flange back [mm]	17.53
入射瞳位置 (マウント面から) [mm]	Entrance pupil position (from Mount) [mm]	-52.17
射出瞳位置 (結像面より) [mm]	Exit pupil position (from image plane) [mm]	-93.99
前側主点 (マウント面から) [mm]	Front principal point (from Mount) [mm]	-44.95
後側主点 (マウント面から) [mm]	Rear principal point (from Mount) [mm]	9.22
主点間隔 [mm]	Distance between the principal points [mm]	54.17
TVディストーション [%]	TV distortion [%]	-4.81
外形寸法 [mm]	Dimension [mm]	φ54 × 67.0
主光線入射角度 [°]	Chief Ray Angle [°]	4.49
周辺光量比 (F4.0・対角端) [%]	Relative illumination [%] (Aperture: F4.0, Image height : at diagonal)	97
周辺光量比 (開放・対角端) [%]	Relative illumination [%] (Aperture: at full open, Image height : at diagonal)	38
使用温度範囲	Operation Temperature Range	-10°C ~ +50°C
保存温度範囲	Storage Temperature Range	-30°C ~ +60°C

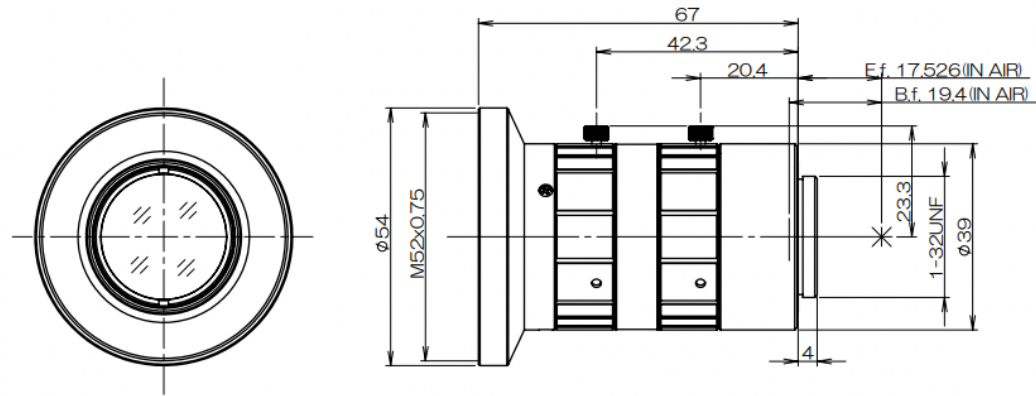
These specifications are subject to change without notice.

Entrance pupil position and Exit pupil position are calculated by "chief ray of 60% image height".

17-Oct-22



CF8ZA-1S



SS00002818-00

レンズ本体：外觀図
Outline drawing
CF8ZA-1S

Oct.2.2018