

型番	Product Name	CF25ZA-1S
焦点距離 [mm]	Focal length [mm] (design value)	25 (24.27)
絞り範囲 (F値)	Iris range (Fnumber)	F1.8-F16
画角 (H×V)	Angle of view	32.9° × 24.8° (1.1")
フォーカス範囲 (レンズメカ先端より) [mm]	Working distance (from front of lens barrel) [mm]	∞ - 100
操作方法:フォーカス	Operation of focus	Manual
操作方法:アイリス	Operation of iris	Manual
フィルタ径 [mm]	Filter thread [mm]	M37.5 × 0.5
マウント	Mount	C-mount
質量 (約) [g]	Weight (approx.) [g]	170
適合センサーサイズ (標準)	Sensor size (std.)	1.1" (2.5μm)
適合センサーサイズ (最大)	Sensor size (max.)	4/3" (3.45μm)
バックフォーカス (空気換算長) [mm]	Back focal length (in air) [mm]	22.8
フランジバック [mm]	Flange back [mm]	17.53
入射瞳位置 (マウント面から) [mm]	Entrance pupil position (from Mount) [mm]	-40.99
射出瞳位置 (結像面より) [mm]	Exit pupil position (from image plane) [mm]	-143.73
前側主点 (マウント面から) [mm]	Front principal point (from Mount) [mm]	-21.41
後側主点 (マウント面から) [mm]	Rear principal point (from Mount) [mm]	-6.74
主点間隔 [mm]	Distance between the principal points [mm]	14.67
TVディストーション [%]	TV distortion [%]	-0.83
外形寸法 [mm]	Dimension [mm]	φ39 × 67.3
主光線入射角度 [°]	Chief Ray Angle [°]	2.69
周辺光量比 (F4.0・対角端) [%]	Relative illumination [%] (Aperture: F4.0, Image height : at diagonal)	95
周辺光量比 (開放・対角端) [%]	Relative illumination [%] (Aperture: at full open, Image height : at diagonal)	38
使用温度範囲	Operation Temperature Range	-10°C ~ +50°C
保存温度範囲	Storage Temperature Range	-30°C ~ +60°C

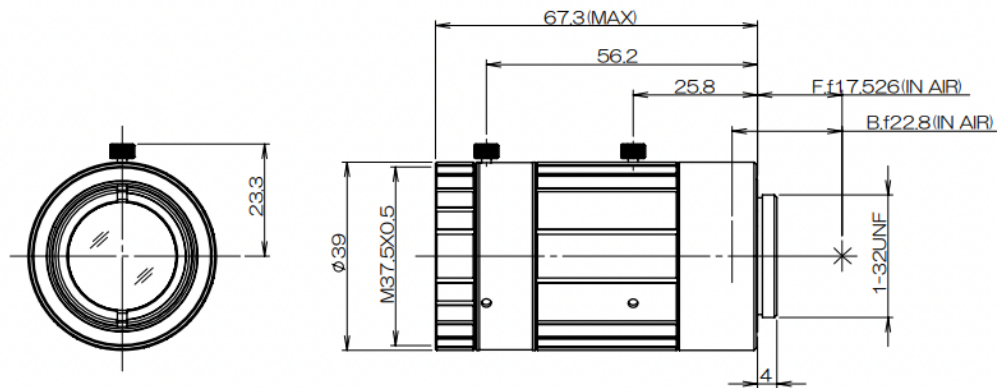
These specifications are subject to change without notice.

Entrance pupil position and Exit pupil position are calculated by "chief ray of 60% image height".

17-Oct-22



CF25ZA-1S



SS00002821-00

レンズ本体：外観図
Outline drawing
CF25ZA-1S

Oct 02,2018