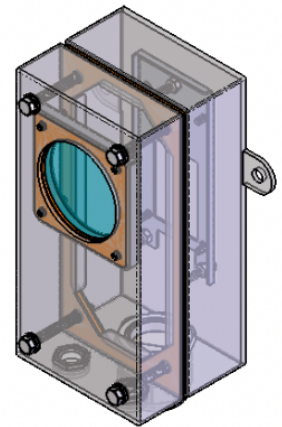
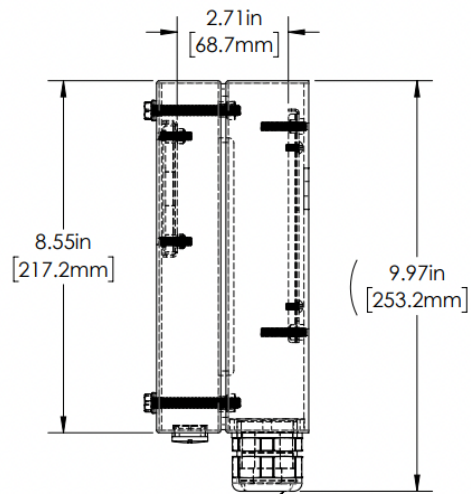


DISTANCE TO WINDOW
ADJUSTABLE WITH
PROVIDED SPACERS



REVISIONS				
ZONE	REV.	DESCRIPTION	DATE	APPROVED
	A	RELEASED FOR PRODUCTION	11/5/2021	DMM

L7 SERIES PROPERTIES TABLE

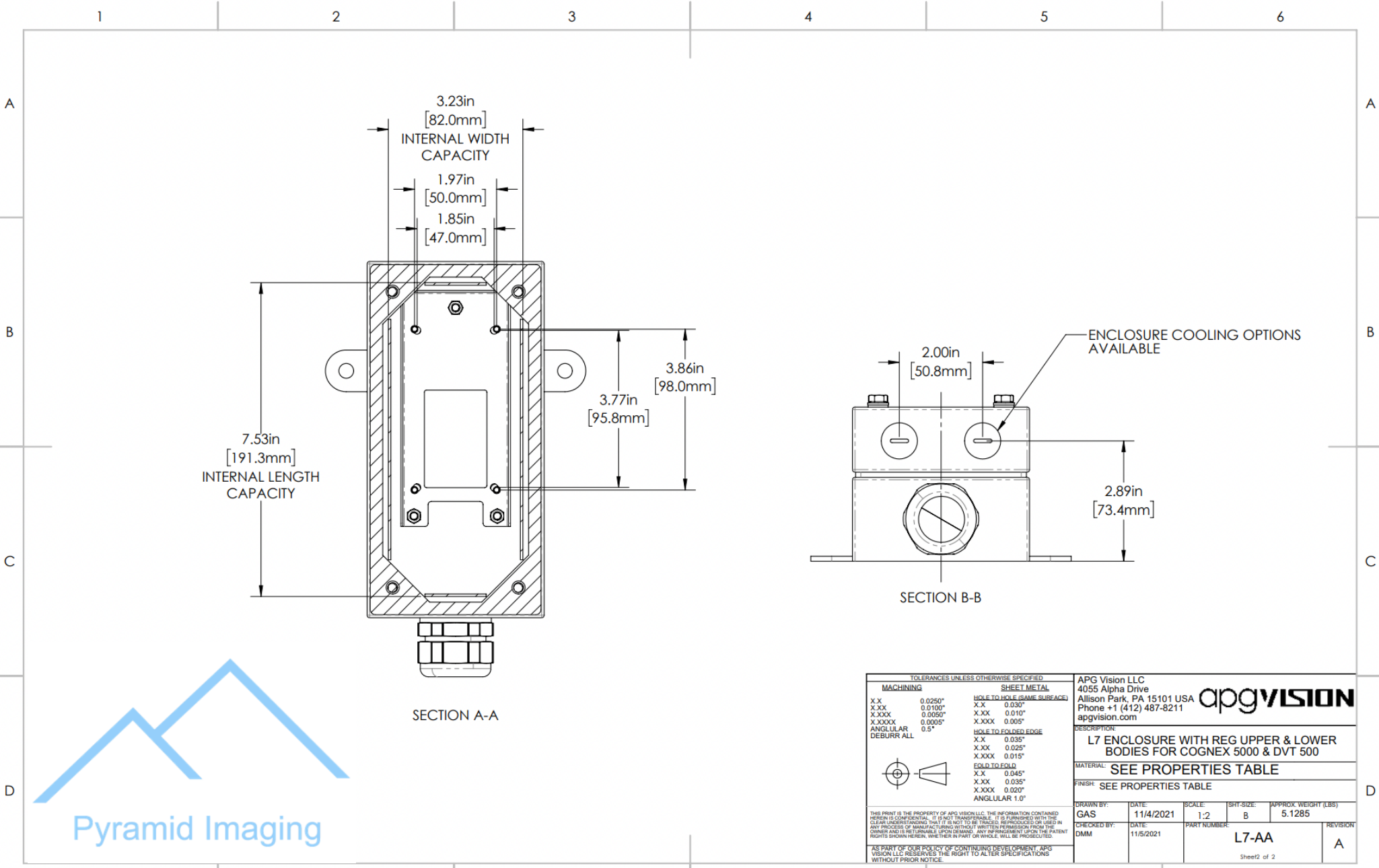
ENVIRONMENT RATING	IP68*	
	(*RATING MAY CHANGE IF INSTALLER MILLS CABLE GLAND OUTSIDE OF TOLERANCE)	
COMPONENT	MATERIAL	FINISH
BODY	316 SS	BURNISHED
VIEWPORT	CLEAR FLOWCOAT ACRYLIC / SODA LIME GLASS	ABR2 / NONE
GASKET	SILICONE	NONE
ARM/ADAPTOR	6061 ALUM	NONE
HARDWARE	316 SS - EXTERNAL, 18-8 SS - INTERNAL	

MACHINING		SHEET METAL		
X.X	0.0250"	HOLE TO HOLE (SAME SURFACE)	X.X	0.030"
X.XX	0.0100"		X.XX	0.010"
X.XXX	0.0050"		X.XXX	0.005"
X.XXXX	0.0005"		X.XXXX	0.0005"
ANGULAR	0.5°	HOLE TO FOLDED EDGE	X.X	0.035"
DEBURR	ALL		X.XX	0.025"
			X.XXX	0.015"
		EDGE TO EDGE	X.X	0.045"
			X.XX	0.035"
			X.XXX	0.020"
		ANGULAR		1.0°

THIS PRINT IS THE PROPERTY OF APG VISION LLC. THE INFORMATION CONTAINED HEREIN IS CONFIDENTIAL. IT IS NOT TRANSFERABLE. IT IS SUPPLIED WITH THE CLEAR UNDERSTANDING THAT IT IS NOT TO BE REPRODUCED OR USED IN ANY PROCESS OF MANUFACTURING WITHOUT WRITTEN PERMISSION FROM THE OWNER AND IS RETURNABLE UPON DEMAND. ANY INFRACTION UPON THE PATENT RIGHTS SHOWN HEREIN, WHETHER IN PART OR WHOLE, WILL BE PROSECUTED.

AS PART OF OUR POLICY OF CONTINUING DEVELOPMENT, APG VISION LLC RESERVES THE RIGHT TO ALTER SPECIFICATIONS WITHOUT PRIOR NOTICE.

APG Vision LLC 4055 Alpha Drive Allison Park, PA 15101 USA Phone +1 (412) 487-8211 apgvision.com		apgvision	
DESCRIPTION: L7 ENCLOSURE WITH REG UPPER & LOWER BODIES FOR COGNEX 5000 & DVT 500			
MATERIAL: SEE PROPERTIES TABLE			
FINISH: SEE PROPERTIES TABLE			
DRAWN BY: GAS	DATE: 11/4/2021	SCALE: 1:3	(SHT-SIZE: APPROX. WEIGHT (LBS)) B 5.1285
CHECKED BY: DMM	DATE: 11/5/2021	PART NUMBER: L7-AA	REVISION: A
Sheet of 2			



TOLERANCES UNLESS OTHERWISE SPECIFIED

MACHINING		SHEET METAL		
X.X	0.0250"	HOLE TO HOLE (SAME SURFACE)	X.X	0.030"
X.XX	0.0100"		X.XX	0.010"
X.XXX	0.0050"		X.XXX	0.005"
X.XXXX	0.0005"		X.XXX	0.005"
ANGULAR	0.5°	HOLE TO FOLDED EDGE	X.X	0.035°
DEBURR	ALL		X.XX	0.025°
			X.XXX	0.015°
		FOLD TO FOLD	X.X	0.045°
			X.XX	0.035°
			X.XXX	0.020°
			ANGULAR	1.0°

APG Vision LLC 4055 Alpha Drive Allison Park, PA 15101 USA Phone +1 (412) 487-8211 apgvision.com				
DESCRIPTION: L7 ENCLOSURE WITH REG UPPER & LOWER BODIES FOR COGNEX 5000 & DVT 500				
MATERIAL: SEE PROPERTIES TABLE				
FINISH: SEE PROPERTIES TABLE				
DRAWN BY:	DATE:	SCALE:	SHT-SIZE:	APPROX. WEIGHT (LBS)
GAS	11/4/2021	1:2	B	5.1285
CHECKED BY:	DATE:	PART NUMBER:		REVISION:
DMM	11/5/2021	L7-AA		A
Sheet# of 2				

THIS PRINT IS THE PROPERTY OF APG VISION LLC. THE INFORMATION CONTAINED HEREIN IS CONFIDENTIAL. IT IS NOT TO BE REPRODUCED, COPIED, OR USED IN ANY MANNER WITHOUT WRITTEN PERMISSION FROM THE OWNER AND IS RETURNABLE UPON DEMAND. ANY INFRINGEMENT UPON THE PATENT RIGHTS SHOWN HEREIN, WHETHER IN PART OR WHOLE, WILL BE PROSECUTED.

AS PART OF OUR POLICY OF CONTINUING DEVELOPMENT, APG VISION LLC RESERVES THE RIGHT TO ALTER SPECIFICATIONS WITHOUT PRIOR NOTICE.

Pyramid Imaging