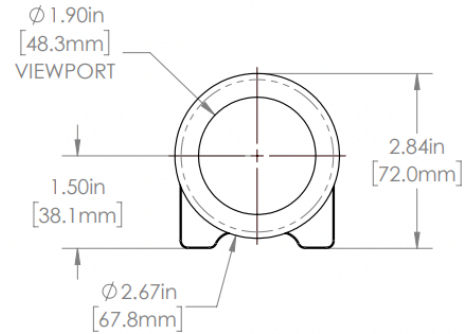
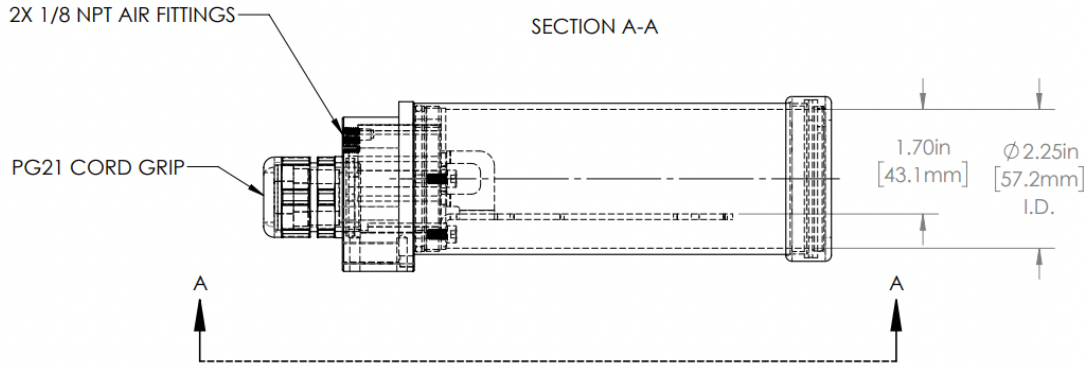
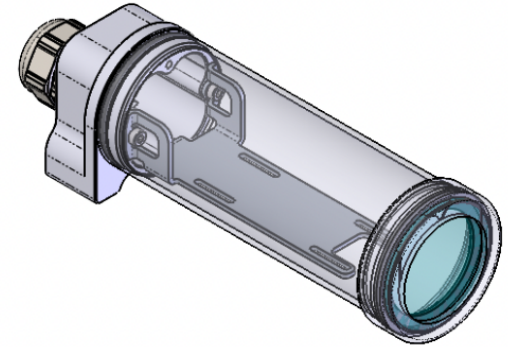


REVISIONS				
ZONE	REV.	DESCRIPTION	DATE	APPROVED
	A	RELEASED FOR PRODUCTION	3/24/2022	DMM



24C SERIES PROPERTIES TABLE

24C SERIES PROPERTIES TABLE		
ENVIRONMENT RATING	IP68*	
	(*RATING MAY CHANGE IF INSTALLER MILLS CABLE GLAND OUTSIDE OF TOLERANCE)	
COMPONENT	MATERIAL	FINISH
BODY/BARREL/FACEPLATE	6061 ALUMINUM	CLEAR HARDCOAT ANODIZED
VIEWPORT	SODA LIME GLASS	NONE
GASKET	VITON	NONE
ARM/ADAPTER	304 SS	BURNISHED
HARDWARE	18-8 SS	NONE



MACHINING		SHEET METAL	
XX	0.0250"	HOLE TO HOLE (SAME SURFACE)	X.X
X.XX	0.0100"		X.XX
X.XXX	0.0050"		X.XXX
X.XXXX	0.0005"		X.XXXX
ANGULAR	0.5°	HOLE TO FOLDED EDGE	X.X
DIEBURR	ALL		X.XX
		FOLD TO FOLD	X.XX
			X.XX
			X.XXX
			X.XXX
			ANGULAR 1.0°



THIS PRINT IS THE PROPERTY OF APG VISION LLC. THE INFORMATION CONTAINED HEREIN IS CONFIDENTIAL. IT IS NOT TO BE REPRODUCED, COPIED, OR USED IN ANY MANNER WITHOUT THE WRITTEN PERMISSION FROM APG VISION LLC. ANY REPRODUCTION OR USE WITHOUT THE WRITTEN PERMISSION FROM APG VISION LLC IS PROHIBITED. APG VISION LLC RESERVES THE RIGHT TO ALTER SPECIFICATIONS WITHOUT PRIOR NOTICE.

APG Vision LLC 4055 Alpha Drive Allison Park, PA 15101 USA Phone +1 (412) 487-8211 apgvision.com			
DESCRIPTION: 24C 6.4IN BARREL, 26mm O.C. SLOTTED ARM, GLASS VP			
MATERIAL: SEE BOM			
FINISH: SEE BOM			
DRAWN BY: DMM	DATE: 3/24/2022	SCALE: 1:2	APPROX. WEIGHT (LBS): 1.2407
CHECKED BY: DMM	DATE: 3/24/2022	PART NUMBER: 24C-DE	REVISION: A
Sheet 1 of 1			