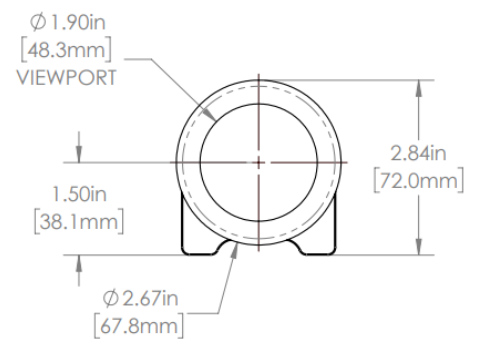
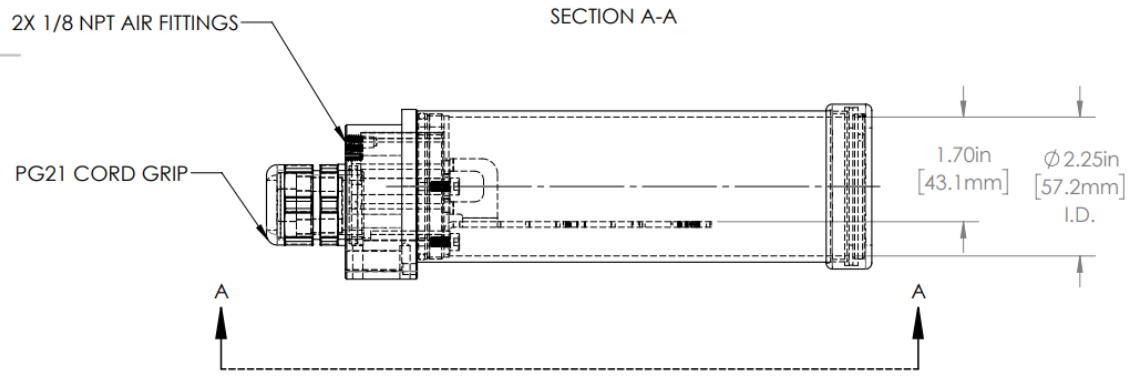
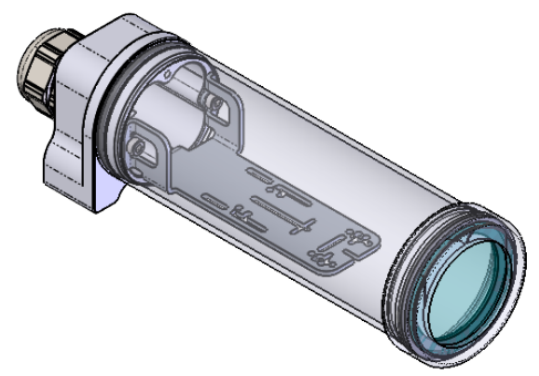


REVISIONS				
ZONE	REV.	DESCRIPTION	DATE	APPROVED
	A	RELEASED FOR PRODUCTION	10/29/2021	DMM



24C SERIES PROPERTIES TABLE

ENVIRONMENT RATING	IP68*	
	(*RATING MAY CHANGE IF INSTALLER MILLS CABLE GLAND OUTSIDE OF TOLERANCE)	
COMPONENT	MATERIAL	FINISH
BODY/BARREL/FACEPLATE	6061 ALUMINUM	CLEAR HARDCOAT ANODIZED
VIEWPORT	SODA LIME GLASS	NONE
GASKET	VITON	NONE
ARM/ADAPTOR	304 SS	BURNISHED
HARDWARE	18-8 SS	NONE



MACHINING		SHEET METAL	
X.X	0.0250°	HOLE TO HOLE (SAME SURFACE)	X.X
X.XX	0.0100°		X.X
X.XXX	0.0050°		X.XX
X.XXXX	0.0005°		X.XXX
ANGULAR	0.5°	HOLE TO FOLDED EDGE	X.X
DEBURR ALL			X.XX
		FOLD TO FOLD	X.X
			X.XX
			X.XXX
			ANGULAR 1.0°

APG Vision LLC 4055 Alpha Drive Allison Park, PA 15101 USA Phone +1 (412) 487-8211 apgvision.com				
DESCRIPTION: 24C 7IN BARREL, UNIVERSAL ARM, GLASS VP SEE BOM				
MATERIAL: SEE BOM				
FINISH: SEE BOM				
DRAWN BY: DMM	DATE: 10/29/2021	SCALE: 1:2	SHT-SIZE: B	APPROX. WEIGHT (LBS): 1.2718
CHECKED BY: DMM	DATE: 10/29/2021	PART NUMBER: 24C-DN	REVISION: A	
AS PART OF OUR POLICY OF CONTINUING DEVELOPMENT, APG VISION LLC RESERVES THE RIGHT TO ALTER SPECIFICATIONS WITHOUT PRIOR NOTICE.				Sheet 1 of 1