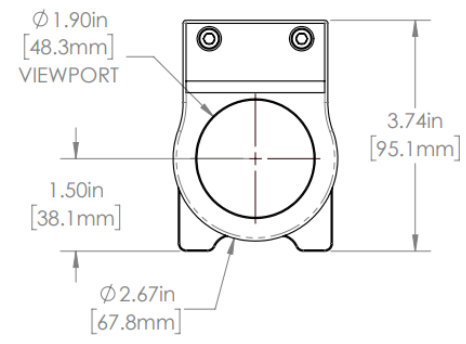
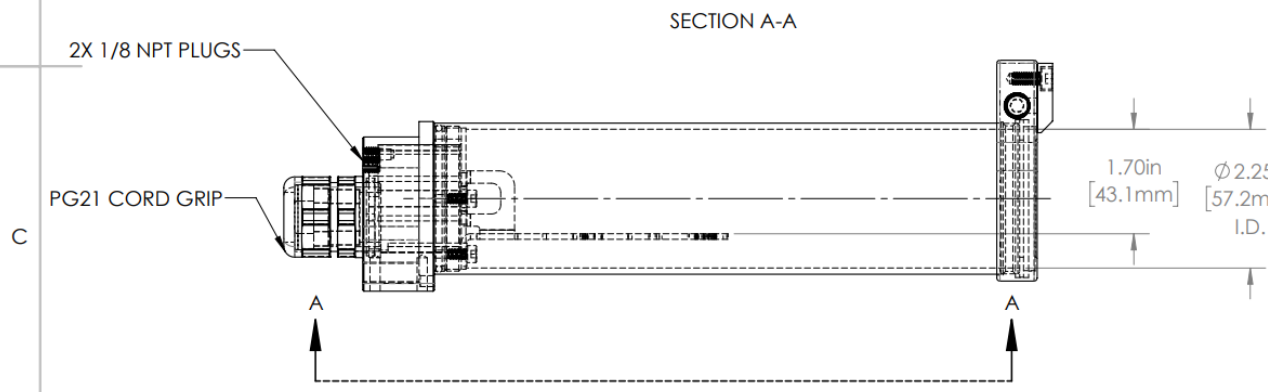
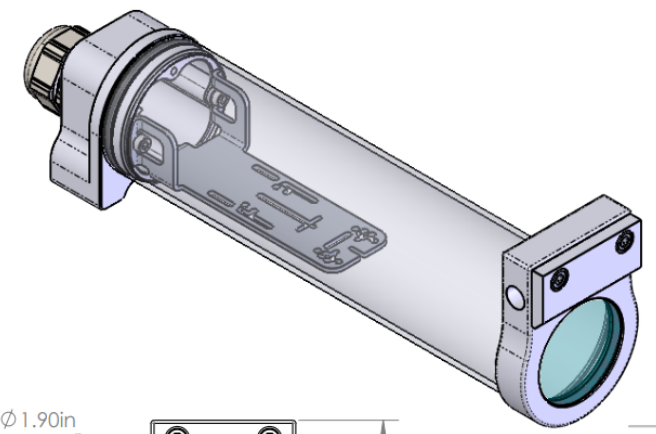


REVISIONS				
ZONE	REV.	DESCRIPTION	DATE	APPROVED
	A	RELEASED FOR PRODUCTION	10/29/2021	DMM



24C SERIES PROPERTIES TABLE		
<b>ENVIRONMENT RATING</b>	IP68*	
	(*RATING MAY CHANGE IF INSTALLER MILLS CABLE GLAND OUTSIDE OF TOLERANCE)	
<b>COMPONENT</b>	<b>MATERIAL</b>	<b>FINISH</b>
BODY/BARREL/AIR SHIELD	6061 ALUMINUM	CLEAR HARDCOAT ANODIZED
VIEWPORT	CLEAR ACRYLIC	ABR2
GASKET	VITON	NONE
ARM/ADAPTOR	304 SS	BURNISHED
HARDWARE	18-8 SS	NONE



TOLERANCES UNLESS OTHERWISE SPECIFIED		APG Vision LLC 4055 Alpha Drive Allison Park, PA 15101 USA Phone +1 (412) 487-8211 apgvision.com		
<b>MACHINING</b>	<b>SHEET METAL</b>	<b>apgvision</b>		
X.X 0.0250"	HOLE TO HOLE (SAME SURFACE)	<b>DESCRIPTION:</b> <b>24C 9.5IN BARREL, UNIVERSAL ARM, ACRYLIC VP, AIR SHIELD</b> <b>MATERIAL:</b> <b>SEE BOM</b> <b>FINISH:</b> <b>SEE BOM</b>		
X.XX 0.0100"	X.X 0.030"			
X.XXX 0.0050"	X.XX 0.010"			
X.XXXX 0.0005"	X.XXX 0.005"			
ANGULAR 0.5°	HOLE TO FOLDED EDGE			
DEBURR ALL	X.X 0.035"			
	X.XX 0.025"			
	X.XXX 0.015"			
	FOLD TO FOLD			
	X.X 0.045"			
	X.XX 0.035"	<b>DRAWN BY:</b> DMM <b>DATE:</b> 10/29/2021 <b>CHECKED BY:</b> DMM <b>DATE:</b> 10/29/2021	<b>SCALE:</b> 1:2 <b>SHT-SIZE:</b> B <b>APPROX. WEIGHT (LBS):</b> 1.6006	<b>PART NUMBER:</b> 24C-DT <b>REVISION:</b> A
<small>THIS PRINT IS THE PROPERTY OF APG VISION LLC. THE INFORMATION CONTAINED HEREIN IS CONFIDENTIAL. IT IS NOT TRANSFERABLE. IT IS FURNISHED WITH THE CLEAR UNDERSTANDING THAT IT IS NOT TO BE REPRODUCED OR USED IN ANY MANNER BY MANUFACTURING WITHOUT THE PERMISSION FROM THE OWNER AND IS RETURNABLE UPON DEMAND. ANY INFRINGEMENT UPON THE PATENT RIGHTS SHOWN HEREIN, WHETHER IN PART OR WHOLE, WILL BE PROSECUTED.</small> <small>*AS PART OF OUR POLICY OF CONTINUING DEVELOPMENT, APG VISION LLC RESERVES THE RIGHT TO ALTER SPECIFICATIONS WITHOUT PRIOR NOTICE.</small>		<b>24C-DT</b> Sheet 1 of 1		