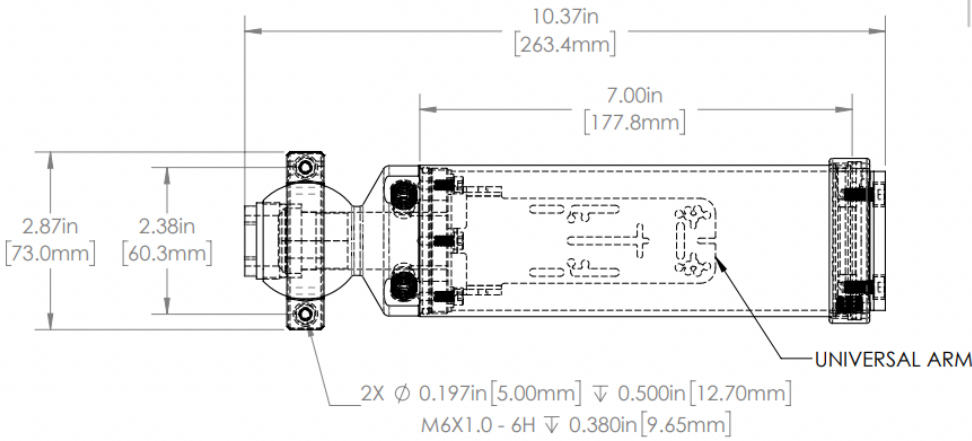


1 2 3 4 5 6

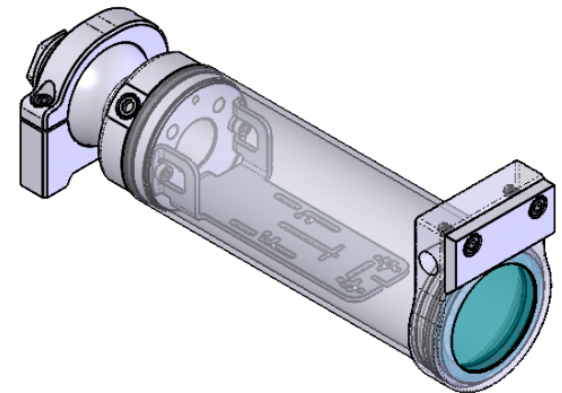
A

A



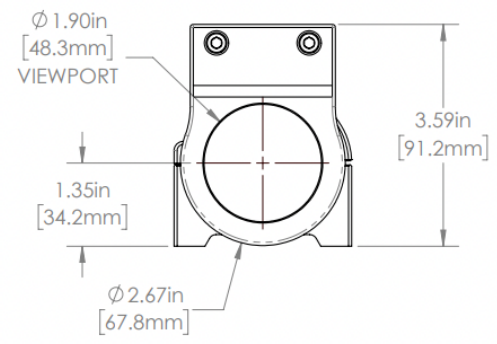
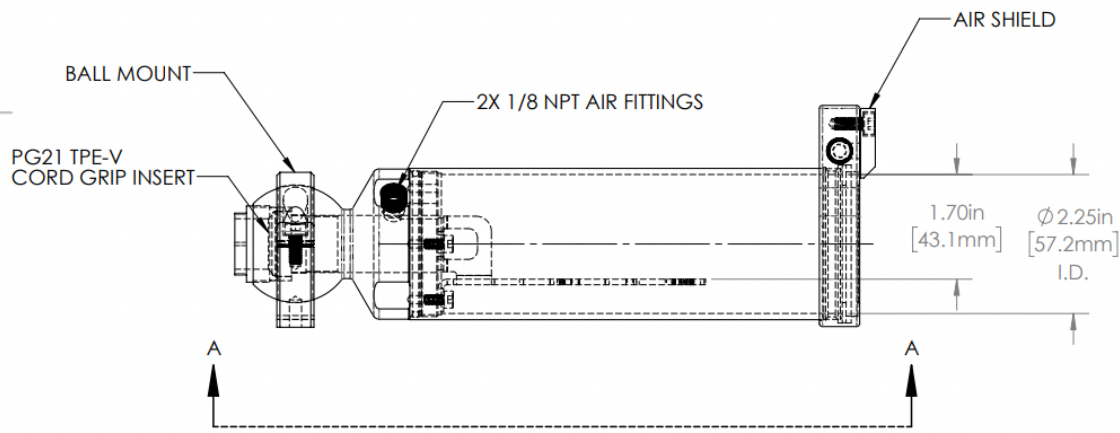
SECTION A-A

| REVISIONS |      |                         |           |          |
|-----------|------|-------------------------|-----------|----------|
| ZONE      | REV. | DESCRIPTION             | DATE      | APPROVED |
|           | A    | RELEASED FOR PRODUCTION | 9/16/2021 | DMM      |



B

B



C

C

**24C SERIES PROPERTIES TABLE**

| ENVIRONMENT RATING             | IP68*  |                            |
|--------------------------------|--|----------------------------|
|                                | (*RATING MAY CHANGE IF INSTALLER MILLS CABLE GLAND OUTSIDE OF TOLERANCE) |                            |
| COMPONENT                      | MATERIAL   | FINISH                     |
| BODY/BALL MOUNT/<br>AIR SHIELD | 6061 ALUMINUM  | CLEAR HARDCOAT<br>ANODIZED |
| VIEWPORT                       | CLEAR ACRYLIC  | ABR2                       |
| GASKET                         | VITON  | NONE                       |
| ARM/ADAPTOR                    | 304 SS   | BURNISHED                  |
| HARDWARE                       | 18-8 SS  | NONE                       |



Pyramid Imaging

| TOLERANCES UNLESS OTHERWISE SPECIFIED |  |
|---------------------------------------|--|
| MACHINING                             | SHEET METAL                            |
| X.X 0.0250"                           | HOLE TO HOLE (SAME SURFACE) X.X 0.030" |
| X.XX 0.0100"                          | X.XX 0.0100"                           |
| X.XXX 0.0050"                         | X.XXX 0.0050"                          |
| X.XXXX 0.0025"                        | X.XXX 0.0050"                          |
| ANGULAR 0.5°                          | HOLE TO FOLDED EDGE X.X 0.035"         |
| DEBURR ALL                            | X.XX 0.0250"                           |
|                                       | X.XXX 0.0150"                          |
|                                       | EQLD TO FOLD X.X 0.045"                |
|                                       | X.XX 0.035"                            |
|                                       | X.XXX 0.0250"                          |
|                                       | ANGULAR 1.0°                           |

APG Vision LLC  
4055 Alpha Drive  
Allison Park, PA 15101 USA  
Phone +1 (412) 487-8211  
apgvision.com

**apgvision**

DESCRIPTION:  
**24C 7IN BARREL, UNIVERSAL ARM, ACRYLIC VP, AIR SHIELD, BALL MOUNT**

MATERIAL:  
**SEE BOM**

FINISH:  
**SEE BOM**

DRAWN BY: DMM DATE: 9/16/2021 SCALE: 1:2 SHT-SIZE: B APPROX WEIGHT (LBS): 1.8691

CHECKED BY: DMM DATE: 9/16/2021 PART NUMBER: 24C-DV REVISION: A

Sheet 1 of 1

D

D

1 2 3 4 5 6