

1 2 3 4 5 6

A

B

C

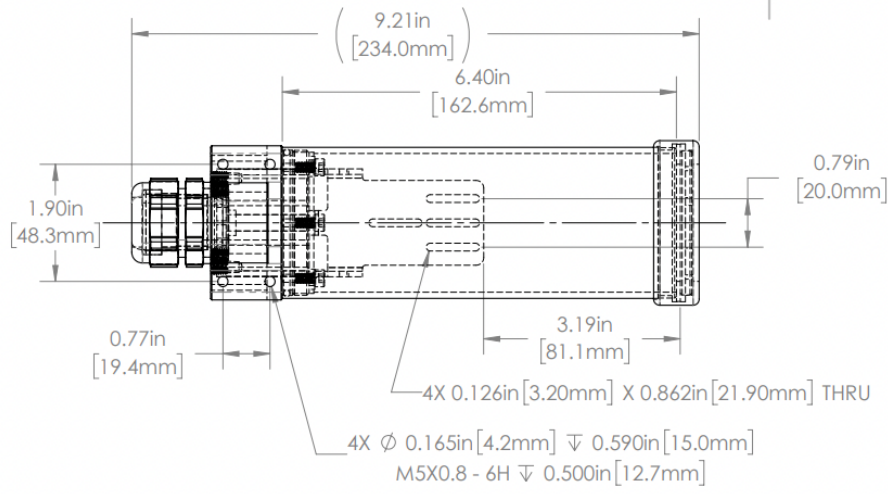
D

A

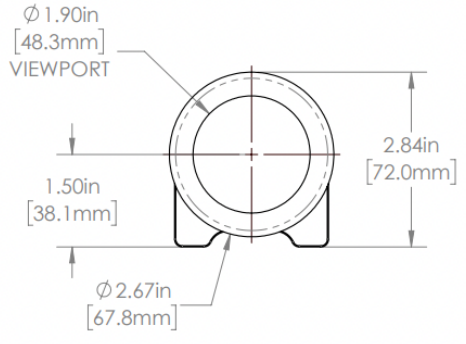
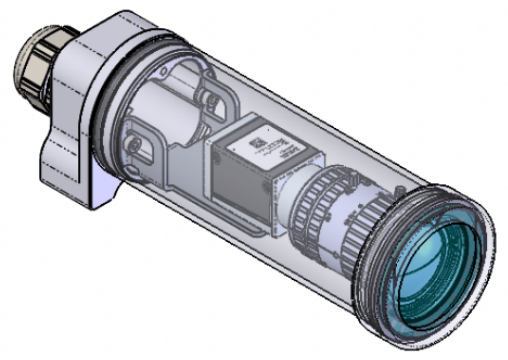
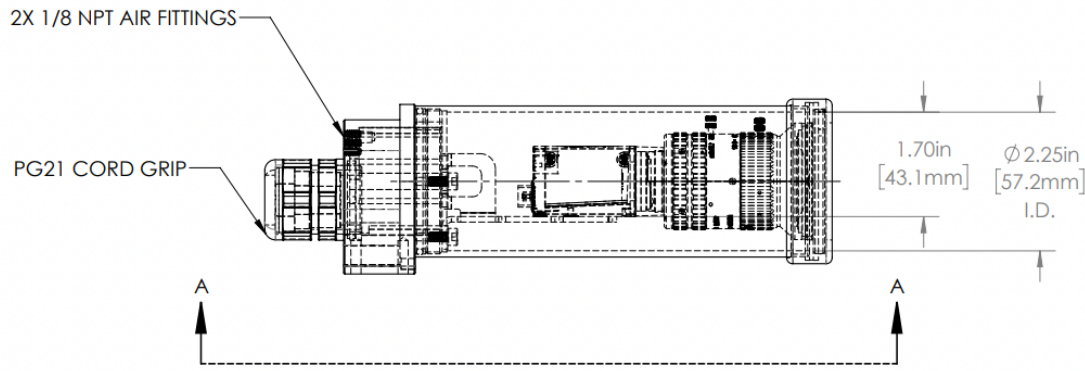
B

C

D



SECTION A-A



REVISIONS				
ZONE	REV.	DESCRIPTION	DATE	APPROVED
	A	RELEASED FOR PRODUCTION	1/20/2022	DMM

**24C SERIES PROPERTIES TABLE**

<b>ENVIRONMENT RATING</b>	IP 68*	
	(*RATING MAY CHANGE IF INSTALLER MILLS CABLE GLAND OUTSIDE OF TOLERANCE)	
<b>COMPONENT</b>	<b>MATERIAL</b>	<b>FINISH</b>
BODY/BARREL/FACEPLATE	6061 ALUMINUM	CLEAR HARDCOAT ANODIZED
VIEWPORT	TEMPERED SODA LIME GLASS	NONE
GASKET	VITON	NONE
ARM/ADAPTOR	304 SS	BURNISHED
HARDWARE	18-8 SS	NONE



MACHINING		SHEET METAL	
X.X	0.0250"	XX	0.030°
X.XX	0.0100"	XX	0.010°
X.XXX	0.0050"	XX	0.005°
X.XXXX	0.0005"	XX	0.002°
ANGULAR	0.5°	XX	0.015°
DEBURR	ALL	XX	0.035°
		XX	0.045°
		XX	0.035°
		XX	0.020°
		XX	1.0°

APG Vision LLC 4055 Alpha Drive Allison Park, PA 15101 USA Phone +1 (412) 487-8211 apgvision.com				
DESCRIPTION: <b>24C 6.4IN BARREL, 20mm O.C. ARM, TEMPERED GLASS VP</b>				
MATERIAL: <b>SEE BOM</b>				
FINISH: <b>SEE BOM</b>				
DRAWN BY:	DATE:	SCALE:	SHT-SIZE:	APPROX. WEIGHT (LBS)
DMM	1/19/2022	1:2	B	1.4282
CHECKED BY:	DATE:	PART NUMBER:	REVISION	
DMM	1/20/2022	24C-EE	A	
AS PART OF OUR POLICY OF CONTINUING DEVELOPMENT, APG VISION LLC RESERVES THE RIGHT TO ALTER SPECIFICATIONS WITHOUT PRIOR NOTICE.				
Sheet 1 of 1				

1 2 3 4 5 6