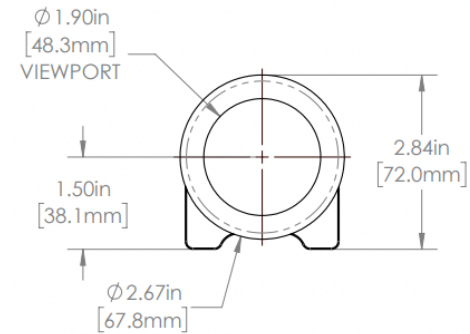
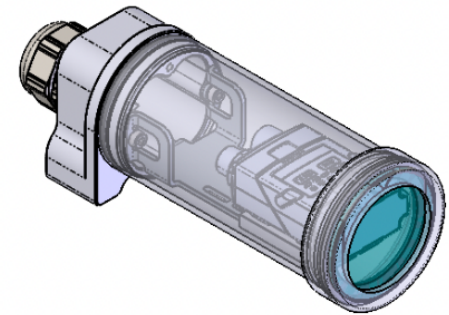
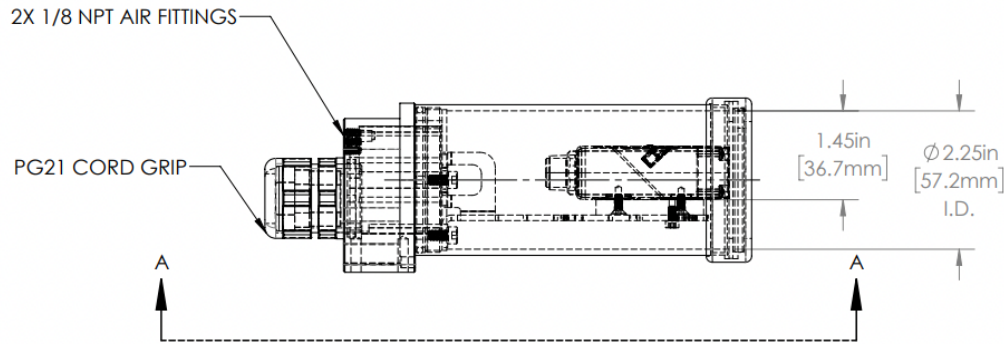


SECTION A-A



24C SERIES PROPERTIES TABLE

24C SERIES PROPERTIES TABLE		
ENVIRONMENT RATING	IP68*	
	(*RATING MAY CHANGE IF INSTALLER MILLS CABLE GLAND OUTSIDE OF TOLERANCE)	
COMPONENT	MATERIAL	FINISH
BODY/BARREL/ FACEPLATE	6061 ALUMINUM	CLEAR HARDCOAT ANODIZED
VIEWPORT	SODA LIME GLASS	NONE
GASKET	VITON	NONE
ARM	304 SS	BURNISHED
ADAPTOR	6061 ALUMINUM	NONE
HARDWARE	18-8 SS	NONE



REVISIONS				
ZONE	REV.	DESCRIPTION	DATE	APPROVED
	A	RELEASED FOR PRODUCTION	2/25/2022	DMM

TOLERANCES UNLESS OTHERWISE SPECIFIED	
MACHINING	SHEET METAL
X.X 0.0250"	HOLE TO HOLE (SAME SURFACE)
X.XX 0.0100"	X.X 0.030"
X.XXX 0.0050"	X.XX 0.010"
X.XXXX 0.0005"	X.XXX 0.005"
ANGULAR 0.5°	HOLE TO FOLDED EDGE
DEBURR ALL	X.X 0.035"
	X.XX 0.025"
	X.XXX 0.015"
	FOLD TO FOLD
	X.X 0.045"
	X.XX 0.035"
	X.XXX 0.020"
	ANGULAR 1.0°

APG Vision LLC 4055 Alpha Drive Allison Park, PA 15101 USA Phone +1 (412) 487-8211 apgvision.com				
DESCRIPTION: 24C 5.1IN BARREL, UNIVERSAL ARM, IS2000 ADAPTER GLASS VP				
MATERIAL: SEE BOM				
FINISH: SEE BOM				
DRAWN BY: DMM	DATE: 2/25/2022	SCALE: 1:2	SHT-SIZE: B	APPROX. WEIGHT (LBS) 1.3462
CHECKED BY: DMM	DATE: 2/25/2022	PART NUMBER: 24C-EG	REVISION A	
Sheet 1 of 1				

THIS PRINT IS THE PROPERTY OF APG VISION LLC. THE INFORMATION CONTAINED HEREIN IS CONFIDENTIAL. IT IS NOT TO BE REPRODUCED, REPRODUCED OR USED IN ANY MANNER WITHOUT THE WRITTEN PERMISSION OF APG VISION LLC. ANY VIOLATION OF THIS POLICY WILL BE PROSECUTED.

AS PART OF OUR POLICY OF CONTINUING DEVELOPMENT, APG VISION LLC RESERVES THE RIGHT TO ALTER SPECIFICATIONS WITHOUT PRIOR NOTICE.