

1 2 3 4 5 6

A

B

C

D

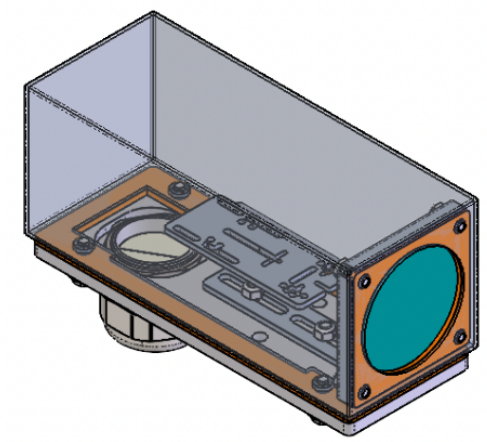
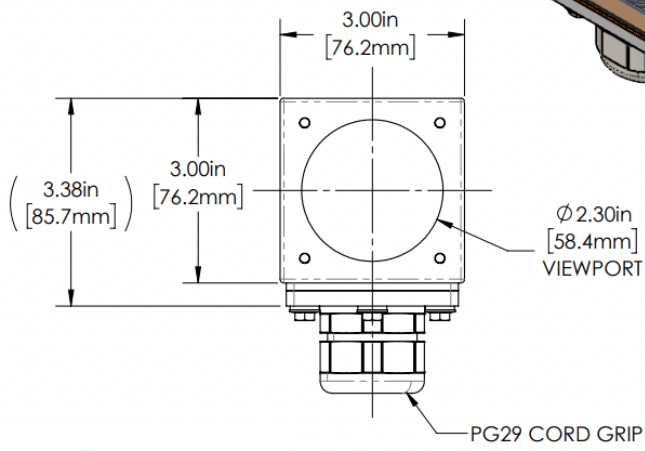
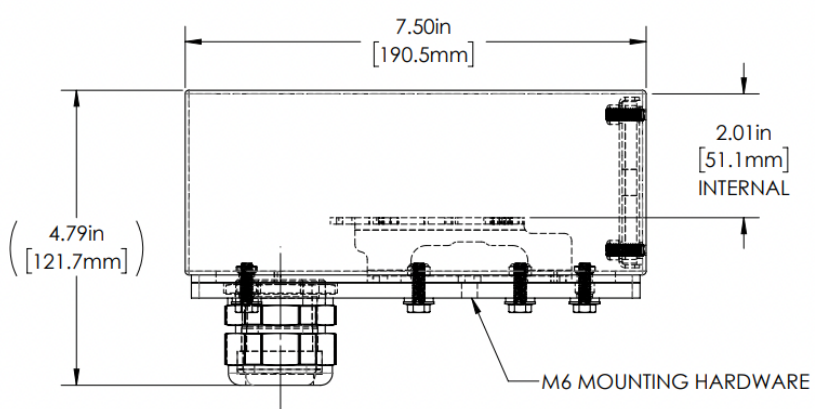
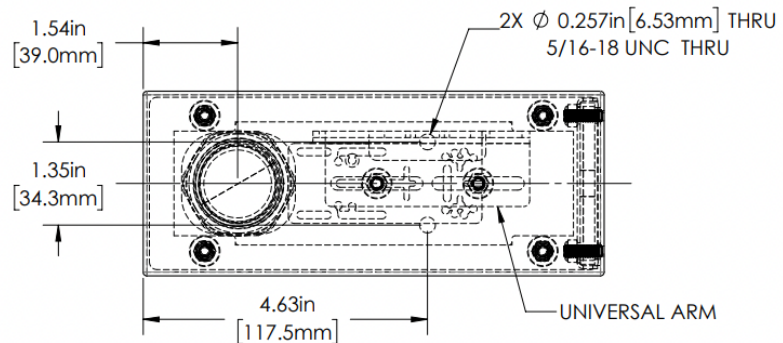
A

B

C

D

| REVISIONS |      |                         |           |          |
|-----------|------|-------------------------|-----------|----------|
| ZONE      | REV. | DESCRIPTION             | DATE      | APPROVED |
|           | A    | RELEASED FOR PRODUCTION | 11/1/2021 | DMM      |



| 30S SERIES PROPERTIES TABLE |  |               |
|-----------------------------|--|---------------|
| <b>ENVIRONMENT RATING</b>   | IP68*  |               |
|                             | (*RATING MAY CHANGE IF INSTALLER MILLS CABLE GLAND OUTSIDE OF TOLERANCE) |               |
| <b>COMPONENT</b>            | <b>MATERIAL</b>  | <b>FINISH</b> |
| BODY/BASE                   | 316 SS   | BURNISHED     |
| VIEWPORT                    | CLEAR ACRYLIC  | ABR2          |
| GASKET                      | SILICONE   | NONE          |
| ARM/ADAPTOR                 | 304 SS   | NONE          |
| HARDWARE                    | 316 SS - EXTERNAL,<br>18-8 SS - INTERNAL                                 | NONE          |



| TOLERANCES UNLESS OTHERWISE SPECIFIED |                             |
|---------------------------------------|-----------------------------|
| <b>MACHINING</b>                      | <b>SHEET METAL</b>          |
| X.X 0.0250"                           | HOLE TO HOLE (SAME SURFACE) |
| X.XX 0.0100"                          | X.X 0.0300"                 |
| X.XXX 0.0050"                         | X.XX 0.0100"                |
| X.XXXX 0.0005"                        | X.XXX 0.0050"               |
| ANGULAR 0.5°                          | HOLE TO FOLDED EDGE         |
| DEBURR ALL                            | X.X 0.0350"                 |
|                                       | X.XX 0.0250"                |
|                                       | X.XXX 0.0150"               |
|                                       | FOLD TO FOLD                |
|                                       | X.X 0.0450"                 |
|                                       | X.XX 0.0350"                |
|                                       | X.XXX 0.0200"               |
|                                       | ANGULAR 1.0°                |

|  |           |              |            |                      |
|--|-----------|--------------|------------|----------------------|
| APG Vision LLC<br>4055 Alpha Drive<br>Allison Park, PA 15101 USA<br>Phone +1 (412) 487-8211<br>apgvision.com |           |              |            |                      |
| DESCRIPTION:<br>30S 7.5IN BODY, ACRYLIC VIEWPORT, UNIVERSAL ARM, SEALED, 5/16-18 TAPPED BASE                 |           |              |            |                      |
| MATERIAL:  |           | SEE BOM      |            |                      |
| FINISH:  |           | SEE BOM      |            |                      |
| DRAWN BY:  | DATE:     | SCALE:       | SRIT-SIZE: | APPROX. WEIGHT (LBS) |
| DMM  | 11/1/2021 | 1:2          | B          | 3.5165               |
| CHECKED BY:  | DATE:     | PART NUMBER: |            | REVISION             |
| DMM  | 11/1/2021 | 30S-AS       |            | A                    |
| Sheet 1 of 1   |           |              |            |                      |

1 2 3 4 5 6