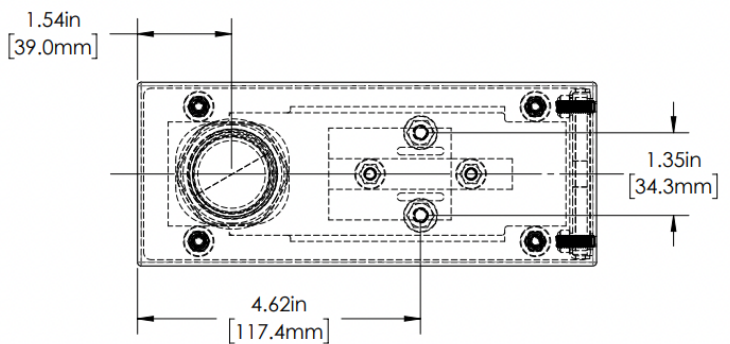
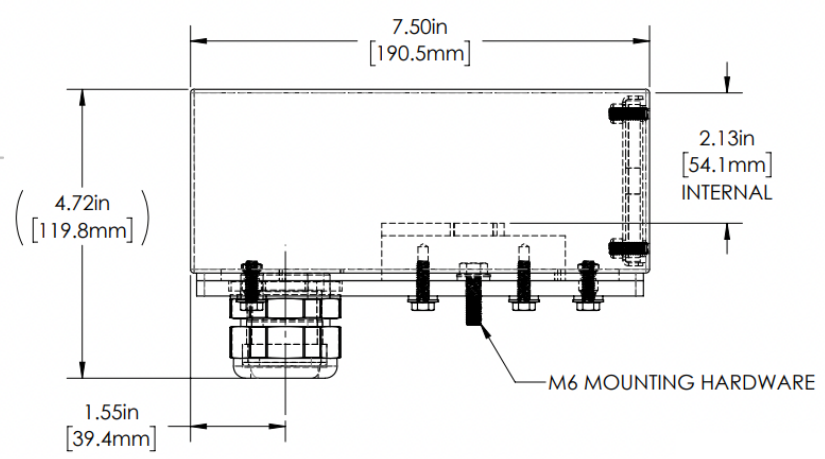


1 2 3 4 5 6

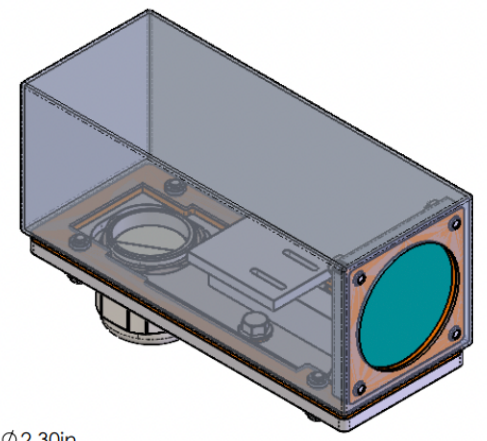
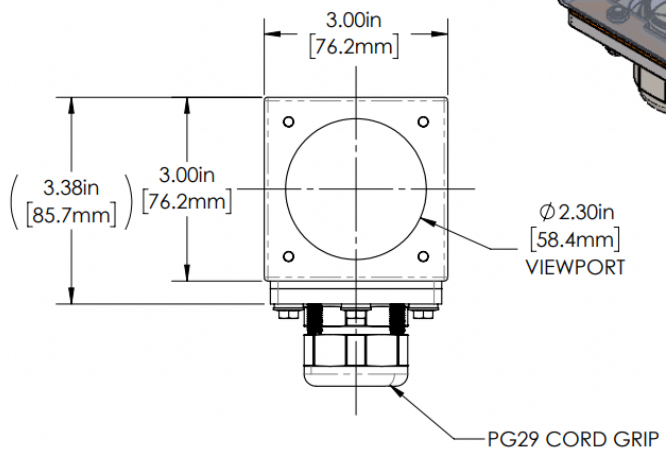
A



B



C



A

B

C

| REVISIONS |      |                         |            |          |
|-----------|------|-------------------------|------------|----------|
| ZONE      | REV. | DESCRIPTION             | DATE       | APPROVED |
|           | A    | RELEASED FOR PRODUCTION | 12/10/2021 | DMM      |

**30S SERIES PROPERTIES TABLE**

|                           |  |               |
|---------------------------|--|---------------|
| <b>ENVIRONMENT RATING</b> | IP68*  |               |
|                           | (*RATING MAY CHANGE IF INSTALLER MILLS CABLE GLAND OUTSIDE OF TOLERANCE) |               |
| <b>COMPONENT</b>          | <b>MATERIAL</b>  | <b>FINISH</b> |
| BODY/BASE                 | 316 SS   | BURNISHED     |
| VIEWPORT                  | CLEAR FLOWCOAT ACRYLIC   | ABR2          |
| GASKET                    | SILICONE   | NONE          |
| ARM/ADAPTOR               | 304 SS   | NONE          |
| HARDWARE                  | 316 SS - EXTERNAL, 18-8 SS - INTERNAL                                    | NONE          |



| MACHINING |         | SHEET METAL                  |       |
|-----------|---------|------------------------------|-------|
| X.X       | 0.0250" | HOLE TO HOLE (DRAME SURFACE) | X.X   |
| X.XX      | 0.0100" |                              | X.X   |
| X.XXX     | 0.0050" |                              | X.XX  |
| X.XXXX    | 0.0005" |                              | X.XXX |
| ANGULAR   | 0.5°    | HOLE TO FOLDED EDGE          | X.X   |
| DEBURR    | ALL     |                              | X.XX  |
|           |         |                              | X.XXX |
|           |         | EDGE TO FOLD                 | X.X   |
|           |         |                              | X.XX  |
|           |         |                              | X.XXX |
|           |         | ANGULAR                      | 1.0°  |

|  |                     |                               |                |                                 |
|--|---------------------|-------------------------------|----------------|---------------------------------|
| APG Vision LLC<br>4055 Alpha Drive<br>Allison Park, PA 15101 USA<br>Phone +1 (412) 487-8211<br>apgvision.com   |                     |                               |                | <b>apgvision</b>                |
| DESCRIPTION:<br>30S 7.5IN BODY WITH EXTENDED OPENING, ACRYLIC VIEWPORT, & PG29 CORD GRIP FOR KEYENCE CA-HX048C |                     |                               |                |                                 |
| MATERIAL: SEE BOM  |                     |                               |                |                                 |
| FINISH: SEE BOM  |                     |                               |                |                                 |
| DRAWN BY:<br>GAS   | DATE:<br>12/10/2021 | SCALE:<br>1:2                 | SHT-SIZE:<br>B | APPROX. WEIGHT (LBS):<br>3.4585 |
| CHECKED BY:<br>DMM   | DATE:<br>12/10/2021 | PART NUMBER:<br><b>30S-AU</b> |                | REVISION:<br>A                  |
|  |                     |                               |                | Sheet 1 of 1                    |

1 2 3 4 5 6

D

D