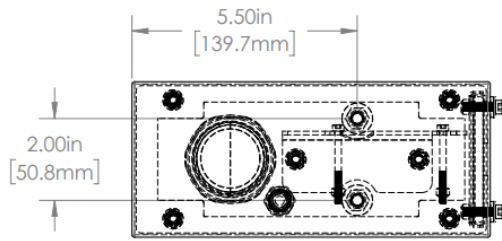


1 2 3 4 5 6

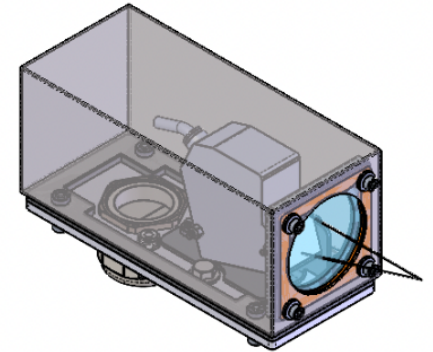
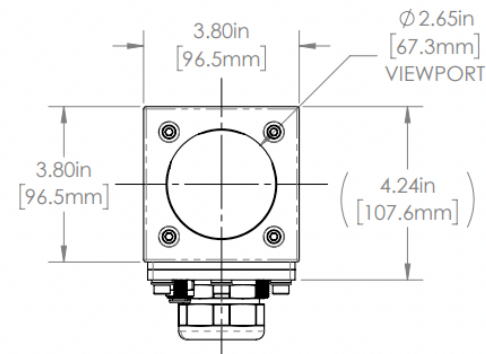
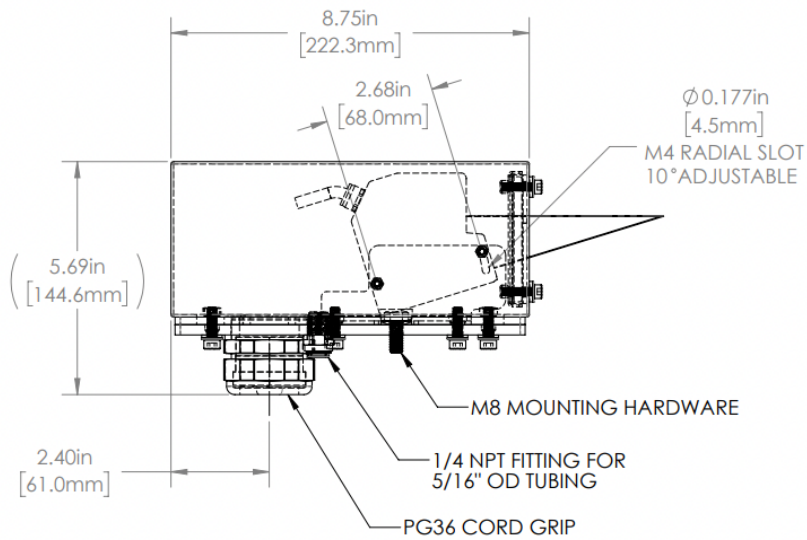
A

A



B

B



Pyramid Imaging

C

C

38D SERIES PROPERTIES TABLE

ENVIRONMENT RATING	IP64*	
	(*RATING MAY CHANGE IF INSTALLER MILLS CABLE GLAND OUTSIDE OF TOLERANCE)	
COMPONENT	MATERIAL	FINISH
BODY	304 SS	BURNISHED
BASE	6061 ALUMINUM	CLEAR HARDCOAT ANODIZED
VIEWPORT	SODA LIME GLASS	NONE
GASKET	EPDM FOAM	NONE
ARM	6061 ALUMINUM	CLEAR HARDCOAT ANODIZED
HARDWARE	316 SS - EXTERNAL, 18-8 SS - INTERNAL	NONE

D

D

REVISIONS				
ZONE	REV.	DESCRIPTION	DATE	APPROVED
	A	RELEASED FOR PRODUCTION	3/3/2022	DMM

MACHINING		SHEET METAL	
X.X	0.0250"	HOLE TO HOLE (SAME SURFACE)	X.X
X.XX	0.0100"		X.XX
X.XXX	0.0050"		X.XXX
X.XXXX	0.0005"		X.XXXX
ANGULAR	0.5°	HOLE TO FOLDED EDGE	X.X
DEBURR	ALL		X.X
		EOLD TO EOLD	X.X
			X.XX
			X.XXX
			X.XXXX
			ANGULAR 1.0°

APG Vision LLC
4055 Alpha Drive
Allison Park, PA 15101 USA
Phone +1 (412) 487-8211
apgvision.com

8.75IN ENCLOSURE WITH ACFP FOR KEYENCE LK-G157

MATERIAL: SEE BOM
FINISH: SEE BOM

DRAWN BY: GAS DATE: 3/3/2022 SCALE: 1:3 SHT-SIZE: B APPROX. WEIGHT (LBS): 4.1415
CHECKED BY: DMM DATE: 3/3/2022 PART NUMBER: 38D-CH REVISION: A

Sheet 1 of 1

THIS PRINT IS THE PROPERTY OF APG VISION LLC. THE INFORMATION CONTAINED HEREIN IS CONFIDENTIAL. IT IS NOT TO BE TRADED, REPRODUCED OR USED IN ANY PROCESS OF MANUFACTURING WITHOUT WRITTEN PERMISSION FROM THE OWNER AND IS RETURNABLE UPON DEMAND. ANY IMPROVEMENTS UPON THE PATENT RIGHTS SHOWN HEREIN, WHETHER IN PART OR WHOLE, WILL BE PROSECUTED.

AS PART OF OUR POLICY OF CONTINUING DEVELOPMENT, APG VISION LLC RESERVES THE RIGHT TO ALTER SPECIFICATIONS WITHOUT PRIOR NOTICE.

1 2 3 4 5 6