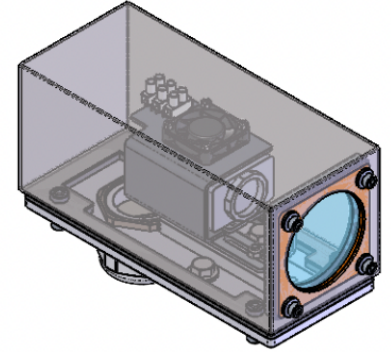
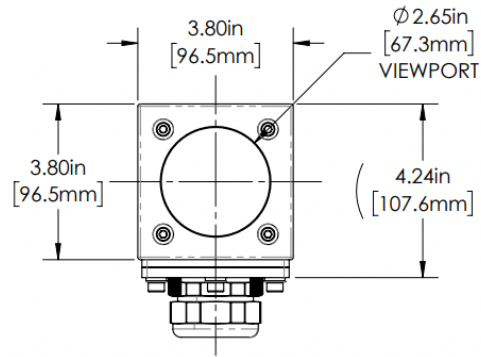
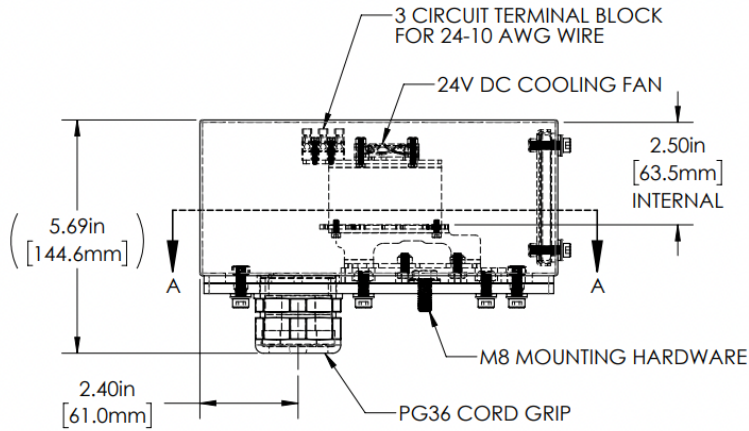


NOTE:
CAMERA HIDDEN FOR CLARITY

REVISIONS				
ZONE	REV.	DESCRIPTION	DATE	APPROVED
	A	RELEASED FOR PRODUCTION	1/31/2022	DMM

30S UNIVERSAL ARM



38D SERIES PROPERTIES TABLE

ENVIRONMENT RATING	IP64*	
	(*RATING MAY CHANGE IF INSTALLER MILLS CABLE GLAND OUTSIDE OF TOLERANCE)	
COMPONENT	MATERIAL	FINISH
BODY	304 SS	BURNISHED
BASE	6061 ALUMINUM	CLEAR HARDCOAT ANODIZED
VIEWPORT	SODA LIME GLASS	NONE
GASKET	EPDM FOAM / SILICONE	NONE
ARM	304 SS	NONE
ADAPTER	6061 ALUMINUM	NONE
BRACKET	5052 ALUMINUM	NONE
HARDWARE	316 SS - EXTERNAL, 18-8 SS - INTERNAL	NONE

<p>TOLERANCES UNLESS OTHERWISE SPECIFIED</p> <table border="0"> <tr> <th>MACHINING</th> <th>SHEET METAL</th> </tr> <tr> <td>X.X</td> <td>0.0250"</td> </tr> <tr> <td>X.XX</td> <td>0.0100"</td> </tr> <tr> <td>X.XXX</td> <td>0.0050"</td> </tr> <tr> <td>X.XXXX</td> <td>0.0005"</td> </tr> <tr> <td>ANGULAR</td> <td>0.5°</td> </tr> <tr> <td>DEBURR ALL</td> <td></td> </tr> </table>		MACHINING	SHEET METAL	X.X	0.0250"	X.XX	0.0100"	X.XXX	0.0050"	X.XXXX	0.0005"	ANGULAR	0.5°	DEBURR ALL		<p>APG Vision LLC 4055 Alpha Drive Allison Park, PA 15101 USA Phone +1 (412) 487-8211 apgvision.com</p>	
MACHINING	SHEET METAL																
X.X	0.0250"																
X.XX	0.0100"																
X.XXX	0.0050"																
X.XXXX	0.0005"																
ANGULAR	0.5°																
DEBURR ALL																	
<p>HOLE TO HOLE (SAME SURFACE)</p> <table border="0"> <tr> <td>X.X</td> <td>0.030"</td> </tr> <tr> <td>X.XX</td> <td>0.010"</td> </tr> <tr> <td>X.XXX</td> <td>0.005"</td> </tr> </table>		X.X	0.030"	X.XX	0.010"	X.XXX	0.005"	<p>DESCRIPTION: 38D 8.75IN ENCLOSURE WITH UNIVERSAL ARM AND COOLING FAN BRACKET FOR PROSILICA GT</p>									
X.X	0.030"																
X.XX	0.010"																
X.XXX	0.005"																
<p>HOLE TO EDGE</p> <table border="0"> <tr> <td>X.X</td> <td>0.035"</td> </tr> <tr> <td>X.XX</td> <td>0.025"</td> </tr> <tr> <td>X.XXX</td> <td>0.015"</td> </tr> </table>		X.X	0.035"	X.XX	0.025"	X.XXX	0.015"	<p>MATERIAL: SEE BOM</p>									
X.X	0.035"																
X.XX	0.025"																
X.XXX	0.015"																
<p>EDGE TO EDGE</p> <table border="0"> <tr> <td>X.X</td> <td>0.045"</td> </tr> <tr> <td>X.XX</td> <td>0.035"</td> </tr> <tr> <td>X.XXX</td> <td>0.020"</td> </tr> <tr> <td>ANGULAR</td> <td>1.0°</td> </tr> </table>		X.X	0.045"	X.XX	0.035"	X.XXX	0.020"	ANGULAR	1.0°	<p>FINISH: SEE BOM</p>							
X.X	0.045"																
X.XX	0.035"																
X.XXX	0.020"																
ANGULAR	1.0°																
<p>THIS PRINT IS THE PROPERTY OF APG VISION LLC. THE INFORMATION CONTAINED HEREIN IS CONFIDENTIAL. IT IS NOT TRANSFERABLE. IT IS FURNISHED WITH THE CLEAR UNDERSTANDING THAT IT IS NOT TO BE TRACED, REPRODUCED OR USED IN ANY PROCESS OF MANUFACTURING WITHOUT WRITTEN PERMISSION FROM THE OWNER AND IS RETURNABLE UPON DEMAND. ANY INFRINGEMENT UPON THE PATENT RIGHTS SHOWN HEREIN, WHETHER IN PART OR WHOLE, WILL BE PROSECUTED.</p>		<p>DRAWN BY: GAS DATE: 1/31/2022 SCALE: 1:3 SHT-SIZE: B APPROX. WEIGHT (LBS): 4.6544</p>															
<p>AS PART OF OUR POLICY OF CONTINUING DEVELOPMENT, APG VISION LLC RESERVES THE RIGHT TO ALTER SPECIFICATIONS WITHOUT PRIOR NOTICE.</p>		<p>CHECKED BY: DMM DATE: 1/31/2022 PART NUMBER: 38D-CS REVISION: A</p>															
		<p>Sheet 1 of 1</p>															