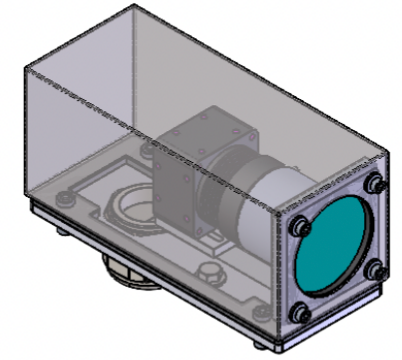


| REVISIONS |      |                         |          |          |
|-----------|------|-------------------------|----------|----------|
| ZONE      | REV. | DESCRIPTION             | DATE     | APPROVED |
|           | A    | RELEASED FOR PRODUCTION | 1/4/2022 | DMM      |



**38D SERIES PROPERTIES TABLE**

| ENVIRONMENT RATING | IP64*  |                         |
|--------------------|--|-------------------------|
|                    | (*RATING MAY CHANGE IF INSTALLER MILLS CABLE GLAND OUTSIDE OF TOLERANCE) |                         |
| COMPONENT          | MATERIAL   | FINISH                  |
| BODY               | 304 SS   | BURNISHED               |
| BASE               | 6061 ALUMINUM  | CLEAR HARDCOAT ANODIZED |
| VIEWPORT           | ACRYLIC  | ABR2                    |
| GASKET             | EPDM FOAM  | NONE                    |
| ARM                | 6061 ALUMINUM  | CLEAR HARDCOAT ANODIZED |
| HARDWARE           | 316 SS - EXTERNAL, 18-8 SS - INTERNAL                                    | NONE                    |

| TOLERANCES UNLESS OTHERWISE SPECIFIED |         | SHEET METAL                        |              |
|---------------------------------------|---------|------------------------------------|--------------|
| <b>MACHINING</b>                      |         | <b>HOLE TO HOLE (SAME SURFACE)</b> |              |
| X.X                                   | 0.0250" | X.X                                | 0.030"       |
| X.XX                                  | 0.0100" | X.XX                               | 0.010"       |
| X.XXX                                 | 0.0050" | X.XXX                              | 0.005"       |
| X.XXXX                                | 0.0005" | X.XXX                              | 0.015"       |
| ANGULAR                               | 0.5°    | <b>HOLE TO FOLDED EDGE</b>         |              |
| DEBURR ALL                            |         | X.X                                | 0.035"       |
|                                       |         | X.XX                               | 0.025"       |
|                                       |         | X.XXX                              | 0.015"       |
|                                       |         | <b>FOLD TO FOLD</b>                |              |
|                                       |         | X.X                                | 0.045"       |
|                                       |         | X.XX                               | 0.035"       |
|                                       |         | X.XXX                              | 0.020"       |
|                                       |         | X.XXX                              | ANGULAR 1.0° |

|  |                   |                               |                |                                 |
|--|-------------------|-------------------------------|----------------|---------------------------------|
| APG Vision LLC<br>4055 Alpha Drive<br>Allison Park, PA 15101 USA<br>Phone +1 (412) 487-8211<br>apgvision.com                     |                   |                               |                |                                 |
| DESCRIPTION:<br><b>38D 8.75IN SEALED ENCLOSURE FOR OMRON FS-C4KU7DGES-F &amp; LENS</b>   |                   |                               |                |                                 |
| MATERIAL:<br><b>SEE BOM</b>  |                   |                               |                |                                 |
| FINISH: <b>SEE BOM</b>   |                   |                               |                |                                 |
| DRAWN BY:<br>DMM   | DATE:<br>1/4/2022 | SCALE:<br>1:3                 | SHT-SIZE:<br>B | APPROX. WEIGHT (LBS):<br>4.4586 |
| CHECKED BY:<br>DMM   | DATE:<br>1/4/2022 | PART NUMBER:<br><b>38D-DU</b> |                | REVISION:<br>A                  |
| AS PART OF OUR POLICY OF CONTINUING DEVELOPMENT, APG VISION LLC RESERVES THE RIGHT TO ALTER SPECIFICATIONS WITHOUT PRIOR NOTICE. |                   |                               |                |                                 |
| Sheet1 of 1  |                   |                               |                |                                 |