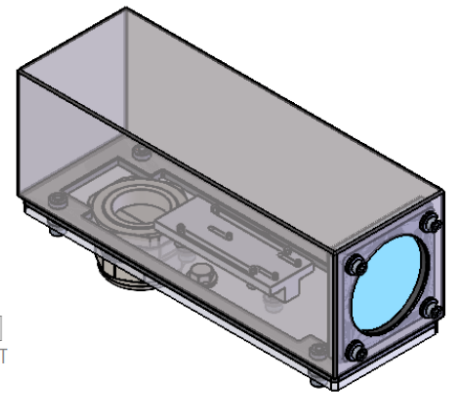


REVISIONS				
ZONE	REV.	DESCRIPTION	DATE	APPROVED
	A	PREVIOUSLY CALLED 21-134 RELEASED FOR PRODUCTION	1/11/2022	DMM



38D SERIES PROPERTIES TABLE

38D SERIES PROPERTIES TABLE		
ENVIRONMENT RATING	IP65*	
	(*RATING MAY CHANGE IF INSTALLER MILLS CABLE GLAND OUTSIDE OF TOLERANCE)	
COMPONENT	MATERIAL	FINISH
BODY	304 SS	BURNISHED
BASE	6061 ALUMINUM	CLEAR HARDCOAT ANODIZED
VIEWPORT	SODA LIME GLASS	NONE
GASKET	EPDM FOAM	NONE
ARM	6061 ALUMINUM	CLEAR HARDCOAT ANODIZED
HARDWARE	316 SS - EXTERNAL, 18-8 SS - INTERNAL	NONE

TOLERANCES UNLESS OTHERWISE SPECIFIED	
MACHINING	SHEET METAL
0.030"	HOLE TO HOLE (SAME SURFACE)
X.X 0.0250"	X.X 0.030"
X.XX 0.0100"	X.XX 0.010"
X.XXX 0.0050"	X.XXX 0.005"
X.XXXX 0.0005"	X.XXX 0.0025"
ANGULAR 0.5°	HOLE TO FOLDED EDGE
DEBURR ALL	X.X 0.035°
	X.XX 0.025°
	X.XXX 0.015°
	FOLD TO FOLD
	X.X 0.045°
	X.XX 0.035°
	X.XXX 0.020°
	ANGULAR 1.0°

APG Vision LLC 4055 Alpha Drive Allison Park, PA 15101 USA Phone +1 (412) 487-8211 apgvision.com				
DESCRIPTION: 38D 11IN SEALED ENCLOSURE FOR XIRIS XIR-1800				
MATERIAL: SEE BOM				
FINISH: SEE BOM				
DRAWN BY: RS	DATE: 1/7/2022	SCALE: 1:3	SHT-SIZE: B	APPROX. WEIGHT (LBS) 4.6233
CHECKED BY: DMM	DATE: 1/11/2022	PART NUMBER: 38D-DV		REVISION A
Sheet 1 of 1				

THIS PRINT IS THE PROPERTY OF APG VISION LLC. THE INFORMATION CONTAINED HEREIN IS CONFIDENTIAL. IT IS NOT TRANSFERABLE. IT IS FURNISHED WITH THE CLEAR UNDERSTANDING THAT IT IS NOT TO BE TRACED, REPRODUCED OR USED IN ANY PROCESS OF MANUFACTURING WITHOUT WRITTEN PERMISSION FROM THE OWNER AND IS RETURNABLE UPON DEMAND. ANY APPLICABLE PATENT RIGHTS SHOWN HEREIN, WHETHER IN PART OR WHOLE, SHALL BE PRESERVED.

AS PART OF OUR POLICY OF CONTINUING DEVELOPMENT, APG VISION LLC RESERVES THE RIGHT TO ALTER SPECIFICATIONS WITHOUT PRIOR NOTICE.