

1 2 3 4 5 6

A

B

C

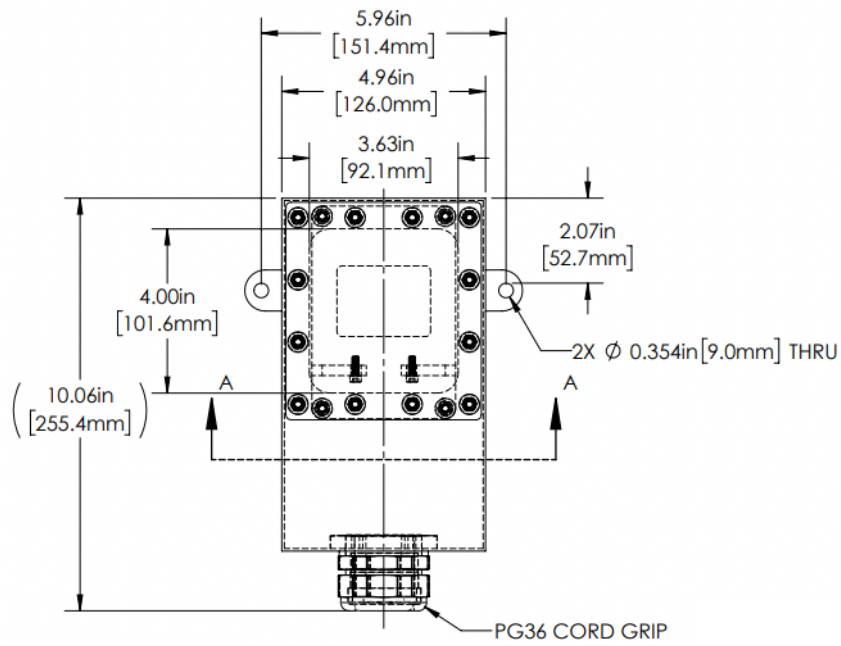
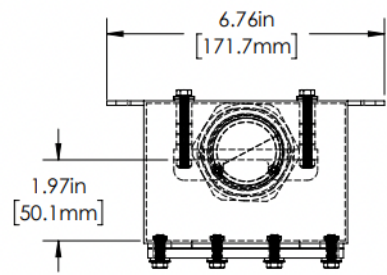
D

A

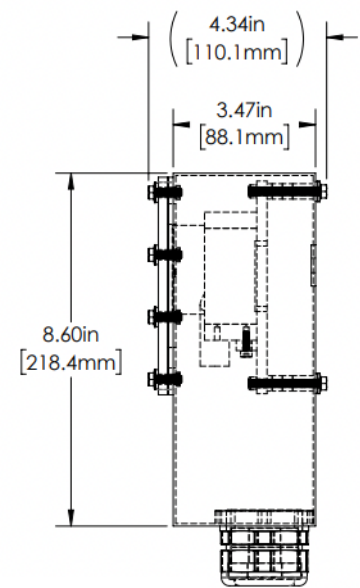
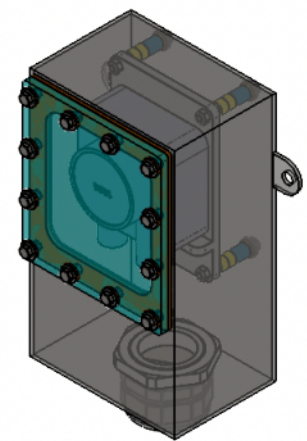
B

C

D



REVISIONS				
ZONE	REV.	DESCRIPTION	DATE	APPROVED
	A	RELEASED FOR PRODUCTION	1/21/2022	DMM



LD SERIES PROPERTIES TABLE		
ENVIRONMENT RATING	IP69K*	
	[*RATING MAY CHANGE IF INSTALLER MILLS CABLE GLAND OUTSIDE OF TOLERANCE]	
COMPONENT	MATERIAL	FINISH
BODY	316 SS	BURNISHED
VIEWPORT	ACRYLIC	ABR2
GASKET	SILICONE	NONE
ARM/ADAPTOR	6061 ALUMINUM	NONE
HARDWARE	316 SS - EXTERNAL, 18-8 SS - INTERNAL	NONE

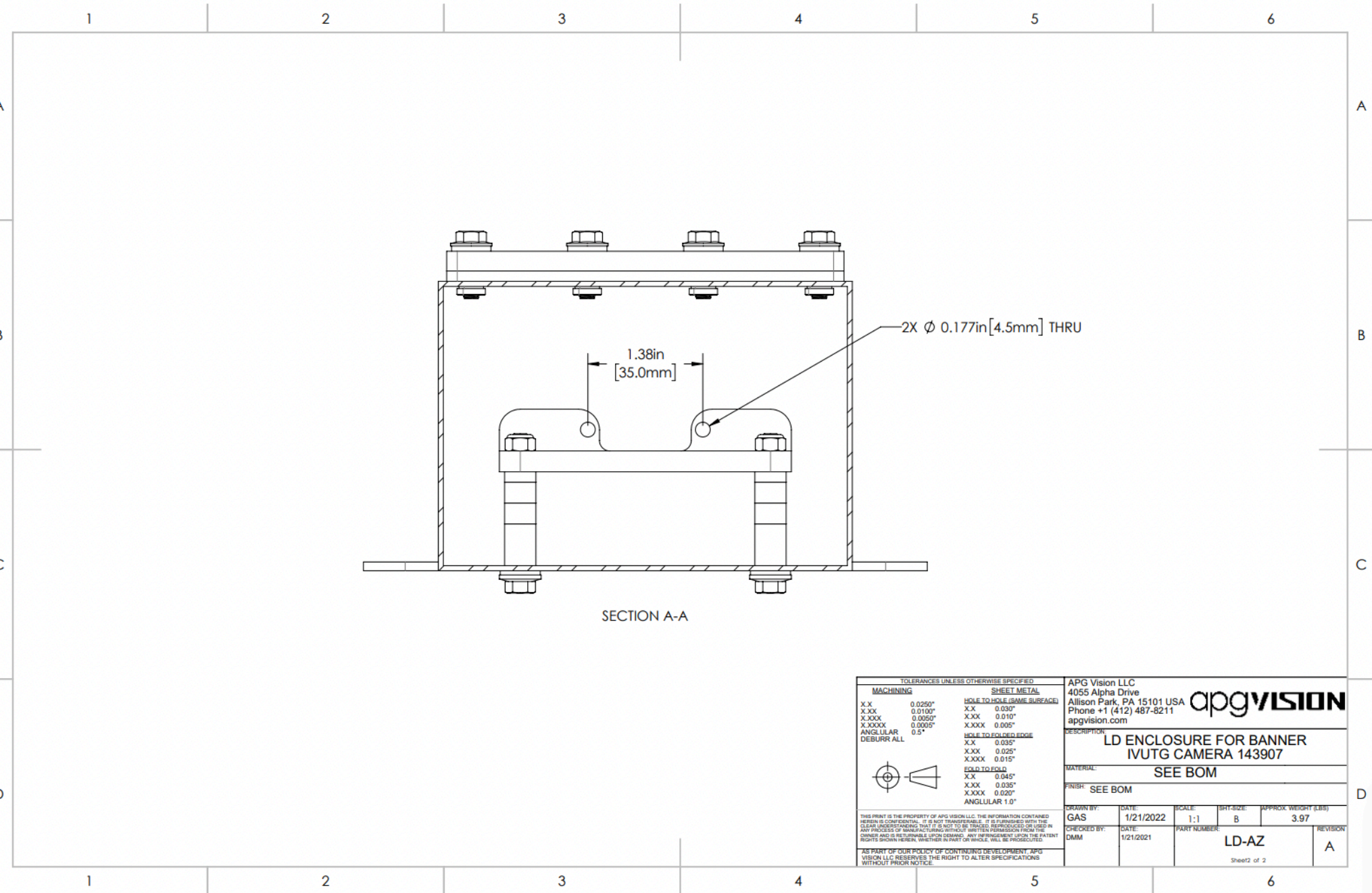


MACHINING		SHEET METAL		
X.X	0.0250"	HOLE TO HOLE (SAME SURFACE)	X.X	0.030"
X.XX	0.0100"		X.XX	0.010"
X.XXX	0.0050"		X.XXX	0.005"
X.XXXX	0.0005"		X.XXX	0.025"
ANGULAR	0.5°	HOLE TO FOLDED EDGE	X.XX	0.035"
DEBURR	ALL		X.XXX	0.015"
		FOLD TO FOLD	X.X	0.045"
			X.XX	0.035"
			X.XXX	0.020"
			ANGULAR	1.0°

APG Vision LLC 4055 Alpha Drive Allison Park, PA 15101 USA Phone +1 (412) 487-8211 apgvision.com				
DESCRIPTION: LD ENCLOSURE FOR BANNER IVUTG CAMERA 143907				
MATERIAL: SEE BOM				
FINISH: SEE BOM				
DRAWN BY: GAS	DATE: 1/21/2022	SCALE: 1:3	SHY-SIZE: B	APPROX. WEIGHT (LBS): 3.97
CHECKED BY: DMM	DATE: 1/21/2021	PART NUMBER: LD-AZ	REVISION: A	
Sheet 1 of 2				

THIS PRINT IS THE PROPERTY OF APG VISION LLC. THE INFORMATION CONTAINED HEREIN IS CONFIDENTIAL. IT IS NOT TRANSFERABLE. IT IS FURNISHED WITH THE CLEAR UNDERSTANDING THAT IT IS NOT TO BE REPRODUCED OR USED IN ANY PROCESS OF MANUFACTURING WITHOUT WRITTEN PERMISSION FROM THE OWNER AND IS RETURNABLE UPON DEMAND. ANY INFRINGEMENT UNDER THE PATENT RIGHTS SHOWN HEREIN, WHETHER OR NOT APG VISION LLC WILL BE PROSECUTED.

AS PART OF OUR POLICY OF CONTINUING DEVELOPMENT, APG VISION LLC RESERVES THE RIGHT TO ALTER SPECIFICATIONS WITHOUT PRIOR NOTICE.



SECTION A-A

TOLERANCES UNLESS OTHERWISE SPECIFIED

MACHINING		SHEET METAL	
X.X	0.0250"	HOLE TO HOLE (SAME SURFACE)	X.X
X.XX	0.0100"		X.X
X.XXX	0.0050"		X.XX
X.XXXX	0.0005"		X.XXXX
ANGULAR	0.5°	HOLE TO FOLDED EDGE	X.X
DEBURR ALL			X.XX
			X.XXX
		FOLD TO FOLD	X.X
			X.XX
			X.XXX
		ANGULAR 1.0°	

THIS PRINT IS THE PROPERTY OF APG VISION LLC. THE INFORMATION CONTAINED HEREIN IS CONFIDENTIAL. IT IS NOT TRANSFERABLE. IT IS FURNISHED WITH THE CLEAR UNDERSTANDING THAT IT IS NOT TO BE REPRODUCED OR USED IN ANY PROCESS OF MANUFACTURING WITHOUT WRITTEN PERMISSION FROM THE OWNER AND IS RETURNABLE UPON DEMAND. ANY VIOLATION OF THE PATENT RIGHTS SHOWN HEREIN, WHETHER IN PART OR WHOLE, WILL BE PROSECUTED.

AS PART OF OUR POLICY OF CONTINUING DEVELOPMENT, APG VISION LLC RESERVES THE RIGHT TO ALTER SPECIFICATIONS WITHOUT PRIOR NOTICE.

APG Vision LLC 4055 Alpha Drive Allison Park, PA 15101 USA Phone +1 (412) 487-8211 apgvision.com				
DESCRIPTION: LD ENCLOSURE FOR BANNER IVUTG CAMERA 143907				
MATERIAL: SEE BOM				
FINISH: SEE BOM				
DRAWN BY:	DATE:	SCALE:	SHT-SIZE:	APPROX. WEIGHT (LBS)
GAS	1/21/2022	1:1	B	3.97
CHECKED BY:	DATE:	PART NUMBER:	REVISION	
DMM	1/21/2021	LD-AZ	A	
<small>Sheet2 of 2</small>				