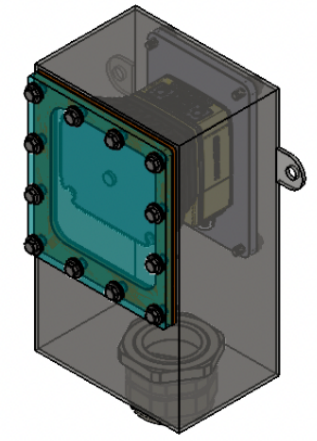


REVISIONS				
ZONE	REV.	DESCRIPTION	DATE	APPROVED
	A	RELEASED FOR PRODUCTION	9/20/2021	DMM



LD SERIES PROPERTIES TABLE		
ENVIRONMENT RATING	IP68*	
	[*RATING MAY CHANGE IF INSTALLER MILLS CABLE GLAND OUTSIDE OF TOLERANCE]	
COMPONENT	MATERIAL	FINISH
BODY	316 SS	BURNISHED
VIEWPORT	ACRYLIC	ABR2
GASKET	SILICONE	NONE
ARM/ADAPTOR	5051 H32 ALUMINUM	NONE
HARDWARE	316 SS - EXTERNAL, 18-8 SS - INTERNAL	NONE



TOLERANCES UNLESS OTHERWISE SPECIFIED	
MACHINING	SHEET METAL
X.X 0.0250"	HOLE TO HOLE (SAME SURFACE) X.X 0.030"
X.XX 0.0100"	X.XX 0.010"
X.XXX 0.0050"	X.XXX 0.010"
X.XXXX 0.0005"	X.XXXX 0.005"
ANGULAR 0.5°	HOLE TO FOLD/LEDGE X.XX 0.035"
DEBURR ALL	X.XX 0.025"
	X.XX 0.015"
	EOLD TO FOLD X.XX 0.045"
	X.XX 0.035"
	X.XXX 0.020"
	ANGULAR 1.0°

APG Vision LLC 4055 Alpha Drive Allison Park, PA 15101 USA Phone +1 (412) 487-8211 apgvision.com	apgvision
DESCRIPTION: LD ENCLOSURE FOR COGNEX IS7000 G2	
MATERIAL: SEE BOM	
FINISH: SEE BOM	
DRAWN BY: RS	DATE: 9/20/2021
CHECKED BY: DMM	DATE: 9/20/2021
SCALE: 1:3	SHT-SIZE: B
APPROX. WEIGHT (LBS): 3.97	
PART NUMBER: LD-DN	REVISION: A
Sheet 1 of 1	

THIS PRINT IS THE PROPERTY OF APG VISION LLC. THE INFORMATION CONTAINED HEREIN IS CONFIDENTIAL. IT IS NOT TO BE REPRODUCED, REPRODUCED OR USED IN ANY MANNER WITHOUT WRITTEN PERMISSION FROM THE OWNER AND IS RETURNABLE UPON DEMAND. ANY INFRACTION UPON THE PATENT RIGHTS SHOWN HEREIN, WHERE THEY IN FACT OR WHOLE, WILL BE PROSECUTED.

AS PART OF OUR POLICY OF CONTINUING DEVELOPMENT, APG VISION LLC RESERVES THE RIGHT TO ALTER SPECIFICATIONS WITHOUT PRIOR NOTICE.