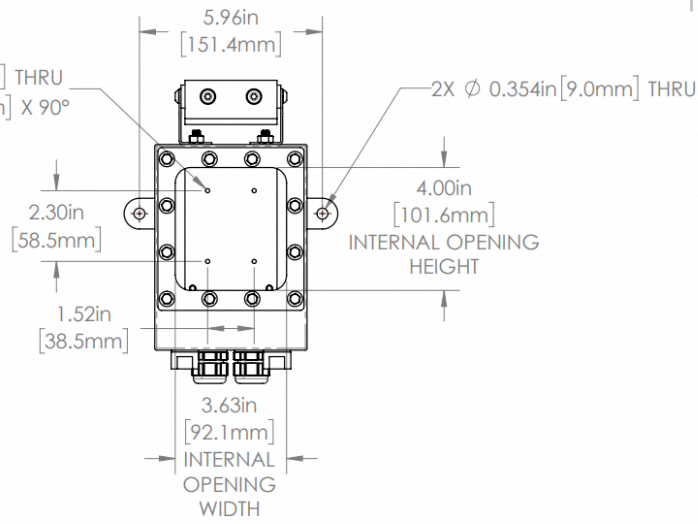


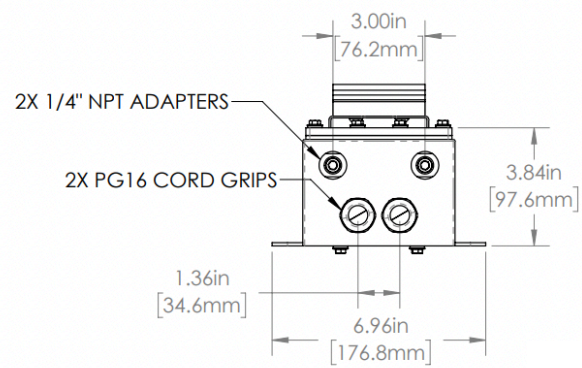
1 2 3 4 5 6

A

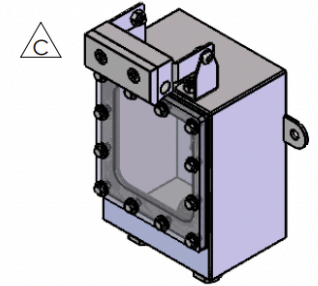
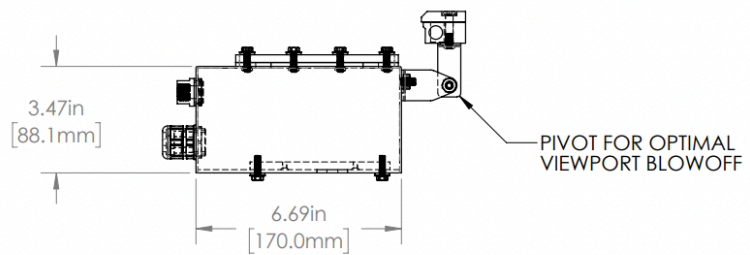
4X \varnothing 0.134in [3.4mm] THRU
 \sphericalangle \varnothing 0.248in [6.3mm] X 90°



B



C



| REVISIONS | | | | |
|-----------|------|--|------------|----------|
| ZONE | REV. | DESCRIPTION | DATE | APPROVED |
| | A | CHANGE CORD GRIP LOCATIONS AND QTY RELEASED FOR PRODUCTION | 9/8/2021 | DMM |
| | B | REMOVED AIR KNIFE | 10/26/2021 | DMM |
| B5 | C | ADDED AIR KNIFE | 3/31/2022 | DMM |

A

B

C

| LD SERIES PROPERTIES TABLE | | |
|----------------------------|--|---------------|
| ENVIRONMENT RATING | IP68* | FDA WASHDOWN |
| | [*RATING MAY CHANGE IF INSTALLER MILLS CABLE GLAND OUTSIDE OF TOLERANCE] | |
| COMPONENT | MATERIAL | FINISH |
| BODY | 316 SS | BURNISHED |
| VIEWPORT | POLYCARBONATE | NONE |
| GASKET | VITON | NONE |
| ARM/ADAPTOR | 6061 ALUM | NONE |
| HARDWARE | 316 SS - EXTERNAL, 18-8 SS - INTERNAL | NONE |



| MACHINING | | SHEET METAL | |
|-------------|---------|-----------------------------|----------------|
| XX | 0.0250" | HOLE TO HOLE (SAME SURFACE) | XX 0.030" |
| X.XX | 0.0100" | | X.XX 0.010" |
| X.XXX | 0.0050" | | X.XXX 0.005" |
| X.XXXX | 0.0005" | | X.XXXX 0.0005" |
| ANGULAR | 0.5° | HOLE TO FOLDED EDGE | XX 0.035" |
| DIEBURR ALL | | | X.XX 0.025" |
| | | FOLD TO FOLD | X.XX 0.045" |
| | | | X.XX 0.035" |
| | | | X.XXX 0.020" |
| | | | ANGULAR 1.0° |

APG Vision LLC
 4055 Alpha Drive
 Allison Park, PA 15101 USA
 Phone +1 (412) 487-8211
 apgvision.com

apgvision

DESCRIPTION:
 LD FDA ENCLOSURE WITH PIVOTING AIR KNIFE BRACKETS AND AIR COOLING ADAPTERS

MATERIAL: SEE PROPERTIES TABLE

FINISH: SEE PROPERTIES TABLE

DRAWN BY: TWD DATE: 9/7/2021 SCALE: 1:4 SHIT-SIZE: B APPROX. WEIGHT (LBS): 5.1617

CHECKED BY: DMM DATE: 9/8/2021 PART NUMBER: LD-EO REVISION: C

Sheet 1 of 1

D

1 2 3 4 5 6