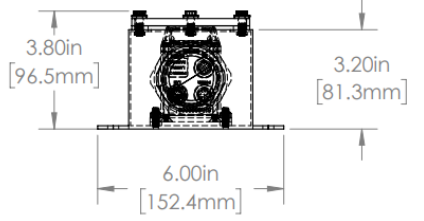
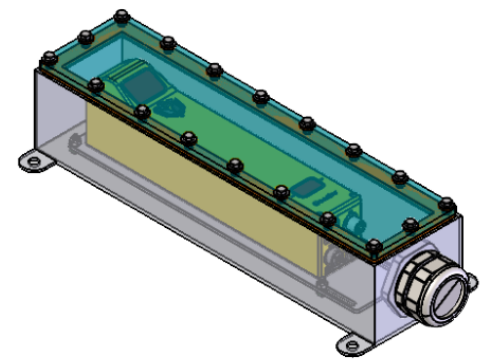


REVISIONS				
ZONE	REV.	DESCRIPTION	DATE	APPROVED
	A	REDRAWN RELEASED FOR PRODUCTION	8/31/2021	DMM



LL SERIES PROPERTIES TABLE		
ENVIRONMENT RATING	IP68*	
	(*RATING MAY CHANGE IF INSTALLER MILLS CABLE GLAND OUTSIDE OF TOLERANCE)	
COMPONENT	MATERIAL	FINISH
BODY	316 SS	BURNISHED
VIEWPORT	CLEAR ACRYLIC	ABR2
GASKET	SILICONE	NONE
ARM/ADAPTOR	6061 T6 ALUMINUM	NONE
HARDWARE	316 SS - EXTERNAL, 18-8 SS - INTERNAL	NONE



TOLERANCES UNLESS OTHERWISE SPECIFIED		SHEET METAL	
MACHINING		HOLE TO HOLE (SAME SURFACE)	
X.X	0.0250"	X.X	0.030"
X.XX	0.0100"	X.XX	0.010"
X.XXX	0.0050"	X.XXX	0.005"
X.XXXX	0.0005"	X.XXXX	0.005"
ANGULAR	0.5°	HOLE TO FOLDED EDGE	
DEBURR	ALL	X.X	0.035"
		X.XX	0.025"
		X.XXX	0.015"
		EOLD TO FOLD	
		X.X	0.045"
		X.XX	0.035"
		X.XXX	0.020"
		ANGULAR	1.0°

APG Vision LLC 4055 Alpha Drive Allison Park, PA 15101 USA Phone +1 (412) 487-8211 apgvision.com				
DESCRIPTION: <b>LL ENCLOSURE FOR GOCATOR 2350A</b>				
MATERIAL: <b>SEE BOM</b>				
FINISH: <b>SEE BOM</b>				
DRAWN BY: RS	DATE: 8/31/2021	SCALE: 1:4	SHT-SIZE: B	APPROX WEIGHT (LBS): 7.8030
CHECKED BY: DMM	DATE: 8/31/2021	PART NUMBER: LL-BV-2	REVISION: A	
AS PART OF OUR POLICY OF CONTINUING DEVELOPMENT, APG VISION LLC RESERVES THE RIGHT TO ALTER SPECIFICATIONS WITHOUT PRIOR NOTICE.				Sheet 1 of 1