

1 2 3 4 5 6

A

B

C

D

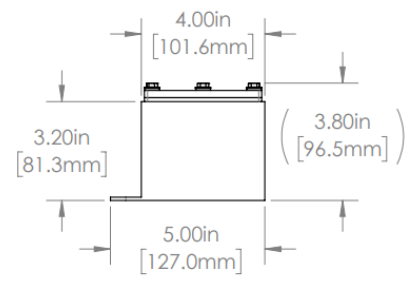
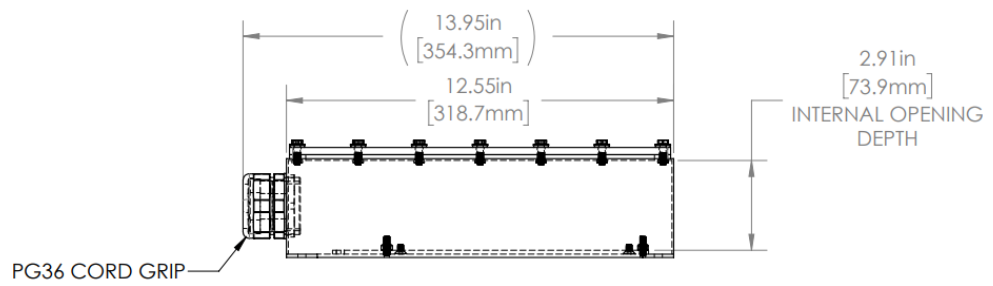
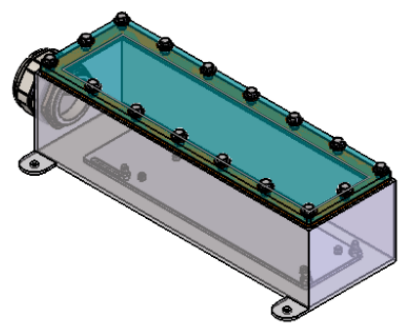
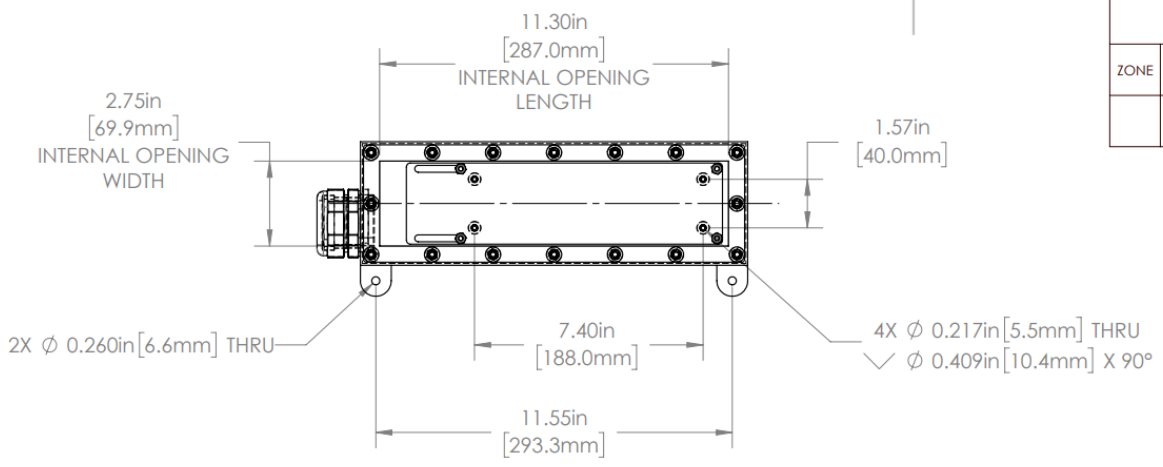
A

B

C

D

REVISIONS				
ZONE	REV.	DESCRIPTION	DATE	APPROVED
	A	RELEASED FOR PRODUCTION	12/14/2021	DMM



LL SERIES PROPERTIES TABLE		
ENVIRONMENT RATING	IP68*	
	(*RATING MAY CHANGE IF INSTALLER MILLS CABLE GLAND OUTSIDE OF TOLERANCE)	
COMPONENT	MATERIAL	FINISH
BODY	316 SS	BURNISHED
VIEWPORT	CLEAR FLOWCOAT ACRYLIC	ABR2
GASKET	SILICONE	NONE
ARM/ADAPTOR	6061 ALUM	NONE
HARDWARE	316 SS - EXTERNAL, 18-8 SS - INTERNAL	AS SUPPLIED



TOLERANCES UNLESS OTHERWISE SPECIFIED	
MACHINING	SHEET METAL
X.X 0.0250"	HOLE TO HOLE (SAME SURFACE)
X.XX 0.0100"	X.X 0.030"
X.XXX 0.0050"	X.XX 0.010"
X.XXXX 0.0005"	X.XXX 0.005"
ANGULAR 0.5°	HOLE TO FOLDED EDGE
DEBURR ALL	X.X 0.035"
	X.XX 0.025"
	X.XXX 0.015"
	FOLD TO FOLD
	X.X 0.045"
	X.XX 0.035"
	X.XXX 0.020"
	ANGULAR: 1.0°

APG Vision LLC 4055 Alpha Drive Allison Park, PA 15101 USA Phone +1 (412) 487-8211 apgvision.com		apgvision	
DESCRIPTION: LL SEALED ENCLOSURE FOR GOCATOR 2140			
MATERIAL: SEE PROPERTIES TABLE			
FINISH: SEE PROPERTIES TABLE			
DRAWN BY: GAS	DATE: 12/14/2021	SCALE: 1:4	SHT-SIZE: APPROX. WEIGHT (LBS) B 4.9456
CHECKED BY: DMM	DATE: 12/14/2021	PART NUMBER: LL-BV-4	REVISION: A
AS PART OF OUR POLICY OF CONTINUING DEVELOPMENT, APG VISION LLC RESERVES THE RIGHT TO ALTER SPECIFICATIONS WITHOUT PRIOR NOTICE.			
Sheet 1 of 1			

1 2 3 4 5 6