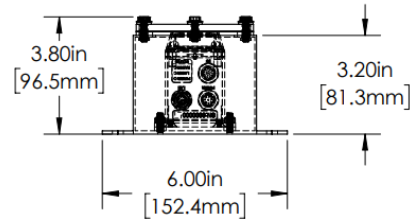
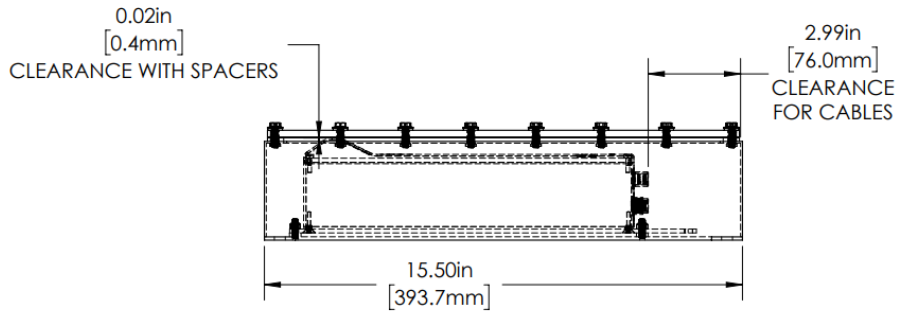
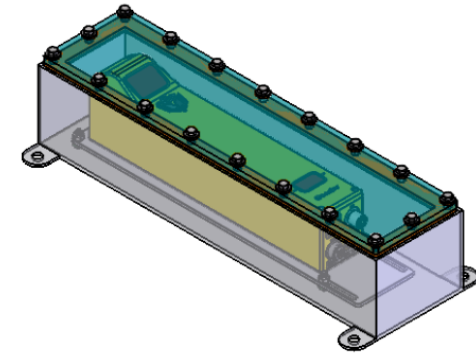


REVISIONS				
ZONE	REV.	DESCRIPTION	DATE	APPROVED
	A	RELEASED FOR PRODUCTION	11/3/2021	DMM



LL SERIES PROPERTIES TABLE		
<b>ENVIRONMENT RATING</b>	IP68*	
	[*RATING MAY CHANGE IF INSTALLER MILLS CABLE GLAND OUTSIDE OF TOLERANCE]	
<b>COMPONENT</b>	<b>MATERIAL</b>	<b>FINISH</b>
BODY	316 SS	BURNISHED
VIEWPORT	CLEAR ACRYLIC	ABR2
GASKET	SILICONE	NONE
ARM/ADAPTOR	6061 T6 ALUMINUM	NONE
HARDWARE	316 SS - EXTERNAL, 18-8 SS - INTERNAL	NONE



TOLERANCES UNLESS OTHERWISE SPECIFIED		SHEET METAL	
<b>MACHINING</b>		<b>HOLE TO HOLE (SAME SURFACE)</b>	
X.X	0.0250"	XX	0.030"
X.XX	0.0100"	XXX	0.010"
X.XXX	0.0050"	XXXX	0.005"
X.XXXX	0.0005"	XXXXX	0.005"
ANGULAR	0.5°	<b>HOLE TO FOLDED EDGE</b>	
DEBURR ALL		XX	0.035°
		XXX	0.025°
		XXXX	0.015°
		<b>FOLD TO FOLD</b>	
		XX	0.045°
		XXX	0.035°
		XXXX	0.020°
		ANGULAR	1.0°

APG Vision LLC 4055 Alpha Drive Allison Park, PA 15101 USA Phone +1 (412) 487-8211 apgvision.com				<b>apgvision</b>
DESCRIPTION: <b>LL ENCLOSURE FOR GOCATOR 2350A NO CORD GRIP</b>				
MATERIAL: <b>SEE BOM</b>				
FINISH: <b>SEE BOM</b>				
DRAWN BY: DMM	DATE: 11/3/2021	SCALE: 1:4	SHT-SIZE: B	APPROX. WEIGHT (LBS): 7.6169
CHECKED BY: DMM	DATE: 11/3/2021	PART NUMBER: <b>LL-BV-6</b>		REVISION: A
AS PART OF OUR POLICY OF CONTINUING DEVELOPMENT, APG VISION LLC RESERVES THE RIGHT TO ALTER SPECIFICATIONS WITHOUT PRIOR NOTICE.				Sheet 1 of 1