

A

B

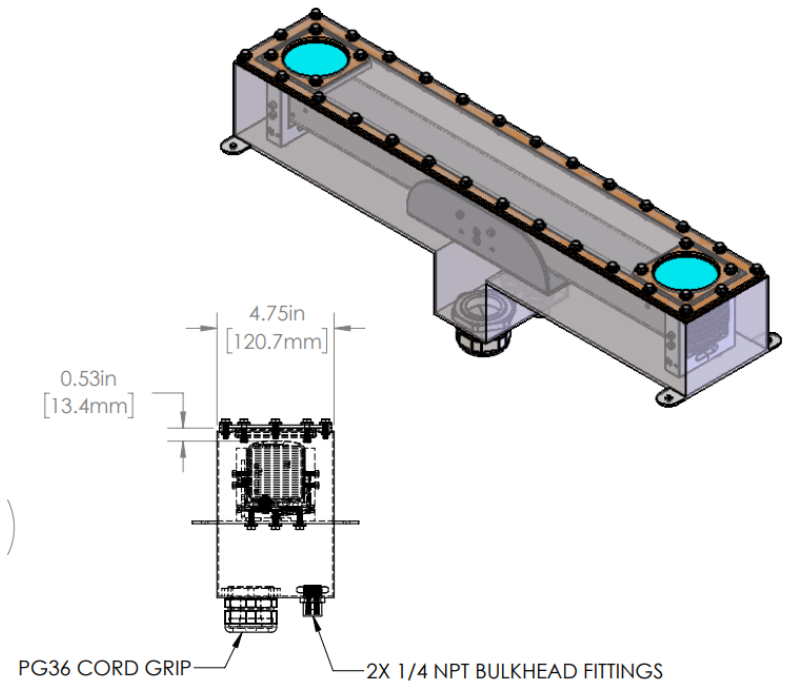
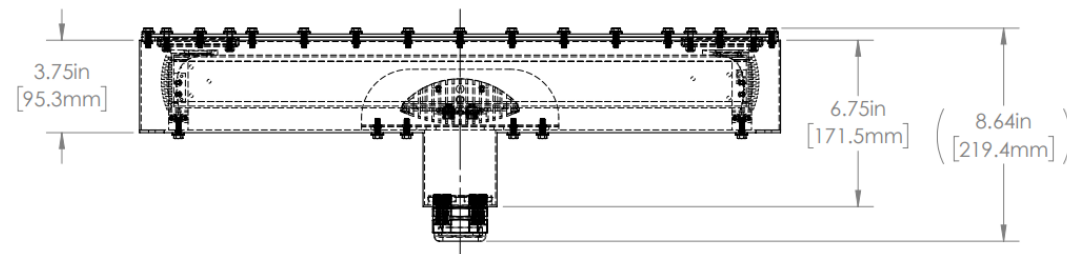
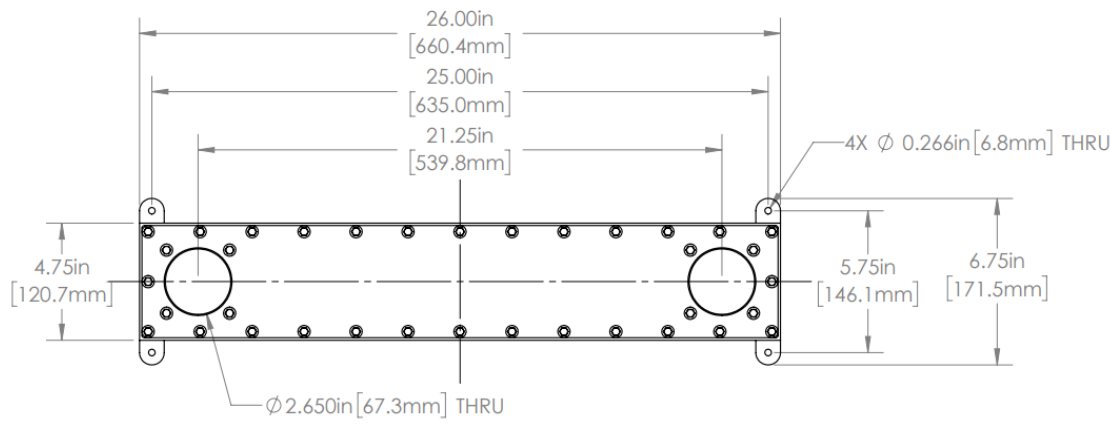
C

A

B

C

REVISIONS				
ZONE	REV.	DESCRIPTION	DATE	APPROVED
	A	RELEASED FOR PRODUCTION	10/27/2021	DMM



LL SERIES PROPERTIES TABLE

ENVIRONMENT RATING	IP68*	
	(*RATING MAY CHANGE IF INSTALLER MILLS CABLE GLAND OUTSIDE OF TOLERANCE)	
COMPONENT	MATERIAL	FINISH
BODY	316 SS	BURNISHED
VIEWPORT	BOROSILICATE GLASS	NONE
GASKET	SILICONE	NONE
ARM/ADAPTOR	5052 ALUMINIUM	NONE
HARDWARE	316 SS - EXTERNAL, 18-8 SS - INTERNAL	NONE



TOLERANCES UNLESS OTHERWISE SPECIFIED		SHEET METAL	
MACHINING		HOLE TO HOLE (SAME SURFACE)	
X.X	0.0250"	X.X	0.030"
X.XX	0.0100"	X.XX	0.010"
X.XXX	0.0050"	X.XXX	0.005"
X.XXXX	0.0005"	X.XXXX	0.0005"
ANGULAR	0.5°	HOLE TO FOLDED EDGE	
DEBURR	ALL	X.X	0.035"
		X.XX	0.025"
		X.XXX	0.015"
		FOLD TO FOLD	
		X.X	0.045"
		X.XX	0.035"
		X.XXX	0.020"
		ANGULAR	1.0°

APG Vision LLC 4055 Alpha Drive Allison Park, PA 15101 USA Phone +1 (412) 487-8211 apgvision.com				
DESCRIPTION: ENCLOSURE FOR LARGE PHOXI 3D SCANNER				
MATERIAL: SEE BOM				
FINISH: SEE BOM				
DRAWN BY: DMM	DATE: 10/27/2021	SCALE: 1:5	SHT-SIZE: B	APPROX. WEIGHT (LBS): 16.0617
CHECKED BY: DMM	DATE: 10/27/2021	PART NUMBER: LL-DW-L	REVISION: A	
AS PART OF OUR POLICY OF CONTINUING DEVELOPMENT, APG VISION LLC RESERVES THE RIGHT TO ALTER SPECIFICATIONS WITHOUT PRIOR NOTICE.				Sheet of 1

D

D