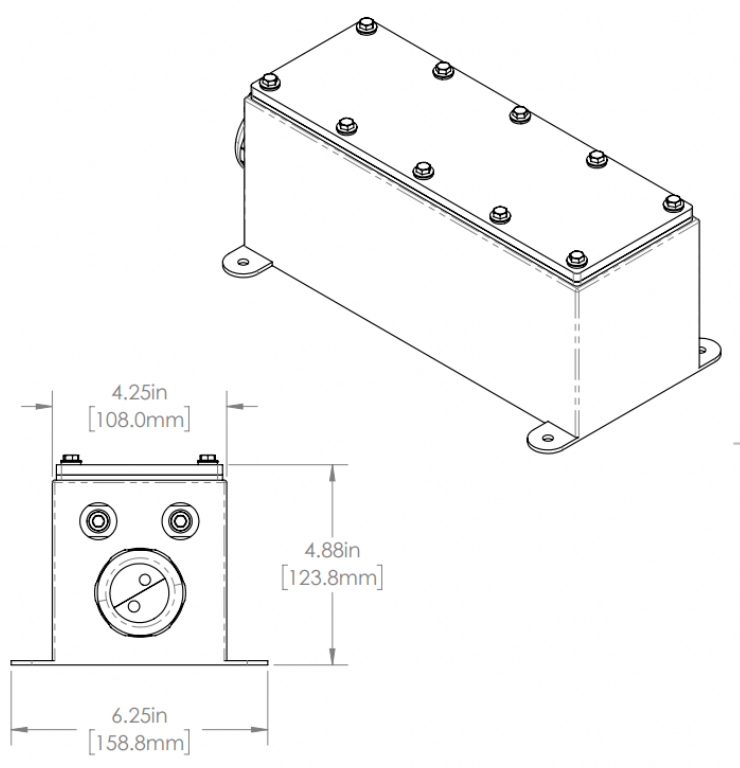


REVISIONS				
ZONE	REV.	DESCRIPTION	DATE	APPROVED
	A	RELEASED FOR PRODUCTION	10/20/2021	DMM



LL SERIES PROPERTIES TABLE		
ENVIRONMENT RATING	IP68*	
	(*RATING MAY CHANGE IF INSTALLER MILLS CABLE GLAND OUTSIDE OF TOLERANCE)	
COMPONENT	MATERIAL	FINISH
BODY	316 SS	BURNISHED
VIEWPORT	FLOW COAT ACRYLIC	CLEAR ABR2
GASKET	SILICONE	NONE
ARM/ADAPTOR	6061 ALUM	BARE
HARDWARE	316 SS - EXTERNAL, 18-8 SS - INTERNAL	NONE



TOLERANCES UNLESS OTHERWISE SPECIFIED	
MACHINING	SHEET METAL
X.X 0.0250"	HOLE TO HOLE (SAME SURFACE)
X.XX 0.0100"	X.X 0.030"
X.XXX 0.0050"	X.XX 0.010"
X.XXXX 0.0005"	X.XXX 0.005"
ANGULAR 0.5°	HOLE TO FOLDED EDGE
DEBURR ALL	X.X 0.035"
	X.XX 0.025"
	X.XXX 0.015"
	FOLD TO FOLD
	X.X 0.045"
	X.XX 0.035"
	X.XXX 0.020"
	ANGULAR 1.0°

APG Vision LLC 4055 Alpha Drive Allison Park, PA 15101 USA Phone +1 (412) 487-8211 apgvision.com				
DESCRIPTION: LL ENCLOSURE FOR COGNEX IS3D-L4000 WITH AIR FITTINGS				
MATERIAL: SEE PROPERTIES TABLE				
FINISH: SEE PROPERTIES TABLE				
DRAWN BY: TWD	DATE: 10/20/2021	SCALE: 1:3	SHT-SIZE: B	APPROX. WEIGHT (LBS) 6.0001
CHECKED BY: DMM	DATE: 10/20/2021	PART NUMBER: LL-EG		REVISION A
Sheet 1 of 1				

THIS PRINT IS THE PROPERTY OF APG VISION LLC. THE INFORMATION CONTAINED HEREIN IS CONFIDENTIAL. IT IS NOT TRANSFERABLE. IT IS FURNISHED WITH THE CLEAR UNDERSTANDING THAT IT IS NOT TO BE TRACED, REPRODUCED OR USED IN ANY PROCESS OF MANUFACTURING WITHOUT THE WRITTEN PERMISSION FROM THE OWNER AND IS RETURNABLE UPON DEMAND. ANY FURNISHMENT UNDER THE PATENT RIGHTS SHOWN HEREIN, WHETHER IN PART OR WHOLE, WILL BE PROSECUTED.

*AS PART OF OUR POLICY OF CONTINUING DEVELOPMENT, APG VISION LLC RESERVES THE RIGHT TO ALTER SPECIFICATIONS WITHOUT PRIOR NOTICE.