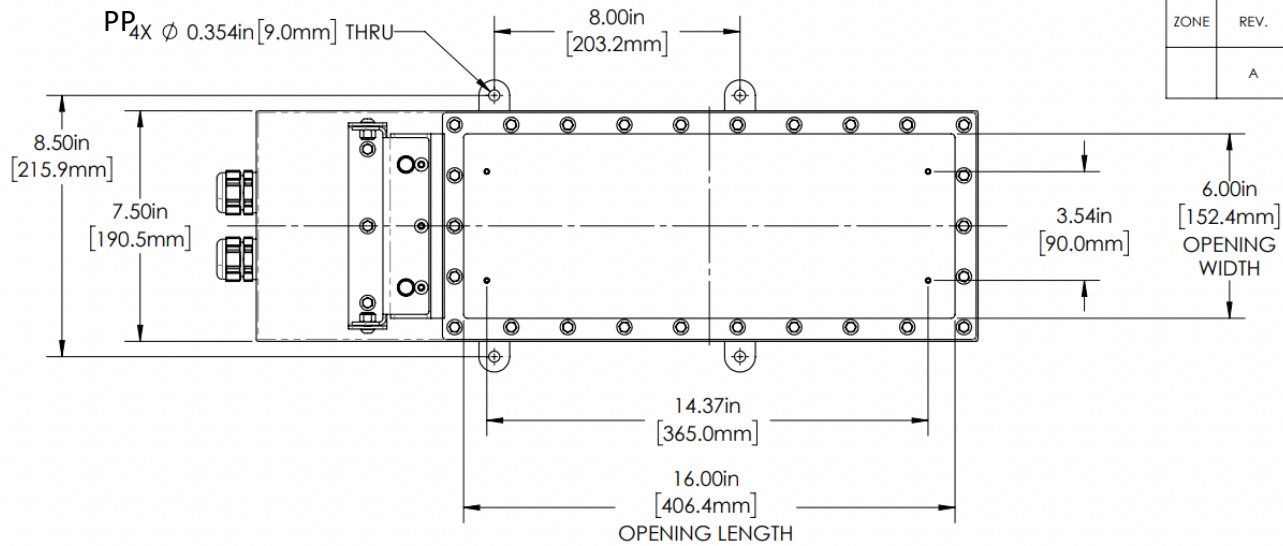


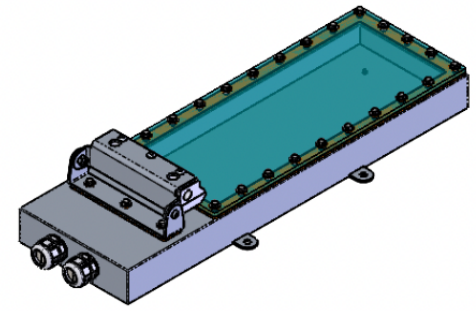
1 2 3 4 5 6

A

A

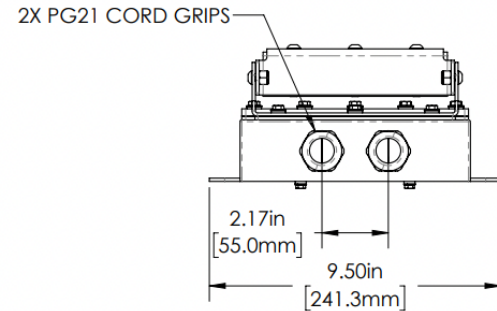
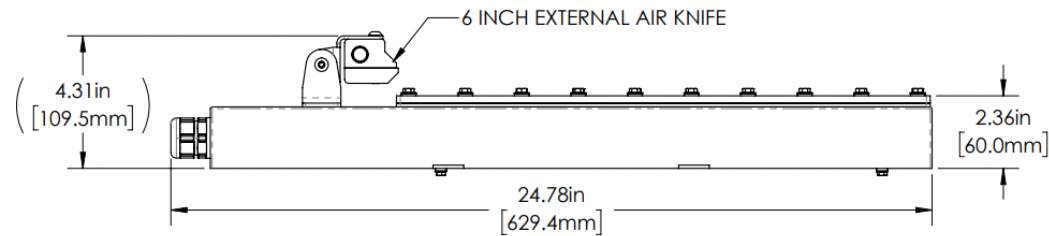


REVISIONS				
ZONE	REV.	DESCRIPTION	DATE	APPROVED
	A	RELEASED FOR PRODUCTION	10/26/2021	DMM



B

B



C

C

LL SERIES PROPERTIES TABLE		
<b>ENVIRONMENT RATING</b>	IP68*	
	(*RATING MAY CHANGE IF INSTALLER MILLS CABLE GLAND OUTSIDE OF TOLERANCE)	
<b>COMPONENT</b>	<b>MATERIAL</b>	<b>FINISH</b>
BODY	304 SS	BURNISHED
VIEWPORT	CLEAR ACRYLIC	ABR2
GASKET	SILICONE	NONE
BRACKET	304 SS	BURNISHED
AIR KNIFE	6061 ALUMINUM	AS SUPPLIED
HARDWARE	316 SS	AS SUPPLIED



MACHINING		SHEET METAL		
X.X	0.0250"	HOLE TO HOLE (SAME SURFACE)	X.X	0.030"
X.XX	0.0100"		X.XX	0.010"
X.XXX	0.0050"		X.XXX	0.005"
X.XXXX	0.0005"		X.XXXX	0.0005"
ANGULAR	0.5°	HOLE TO FOLDED EDGE	X.X	0.035"
DEBURR	ALL		X.XX	0.025"
		FOLD TO FOLD	X.XXX	0.015"
			X.X	0.045"
			X.XX	0.035"
			X.XXX	0.020"
			ANGULAR	1.0°

APG Vision LLC 4055 Alpha Drive Allison Park, PA 15101 USA Phone +1 (412) 487-8211 apgvision.com				
DESCRIPTION: <b>LL ENCLOSURE WITH 6IN AIR KNIFE FOR CA-DZW30X</b>				
MATERIAL: SEE PROPERTIES TABLE				
FINISH: SEE PROPERTIES TABLE				
DRAWN BY: TWD	DATE: 10/25/2021	SCALE: 1:4	SHT-SIZE: B	APPROX. WEIGHT (LBS) 12.9981
CHECKED BY: DMM	DATE: 10/26/2021	PART NUMBER: LL-EQ	REVISION: A	
Sheet 1 of 1				

D

D

1 2 3 4 5 6