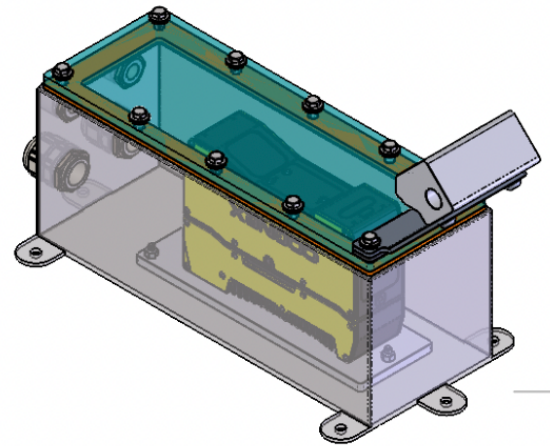
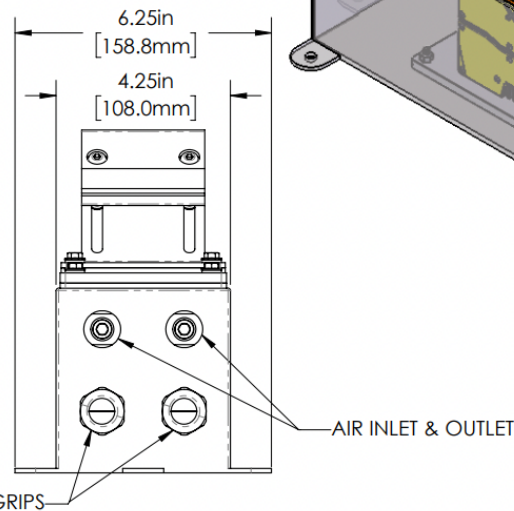
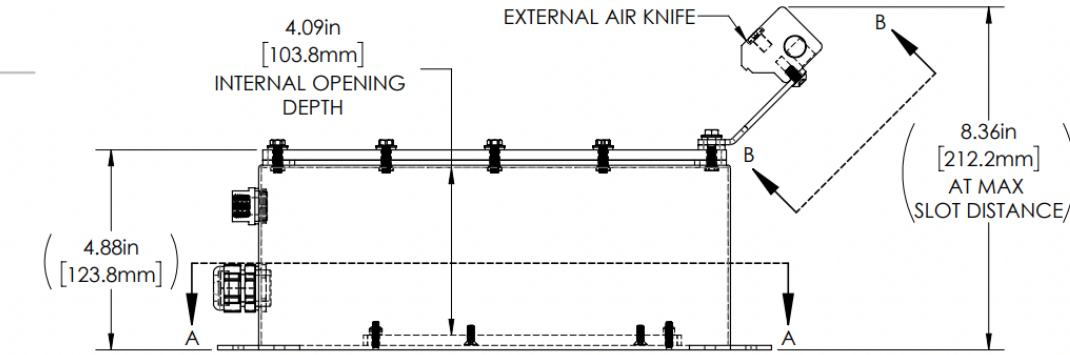


NOTE: CAMERA HIDDEN FOR CLARITY

REVISIONS				
ZONE	REV.	DESCRIPTION	DATE	APPROVED
	A	RELEASED FOR PRODUCTION	2/1/2022	DMM



LL SERIES PROPERTIES TABLE		
ENVIRONMENT RATING	IP68*	
	(*RATING MAY CHANGE IF INSTALLER MILLS CABLE GLAND OUTSIDE OF TOLERANCE)	
COMPONENT	MATERIAL	FINISH
BODY	316 SS	BURNISHED
VIEWPORT	ACRYLIC	CLEAR ABR2
GASKET	SILICONE	NONE
ADAPTER	6061 ALUMINUM	NONE
AIR KNIFE & BRACKET	5052 ALUMINUM	CLEAR HARDCOAT ANODIZED
HARDWARE	316 SS - EXTERNAL, 18-8 SS - INTERNAL	NONE

PG16 CORD GRIPS

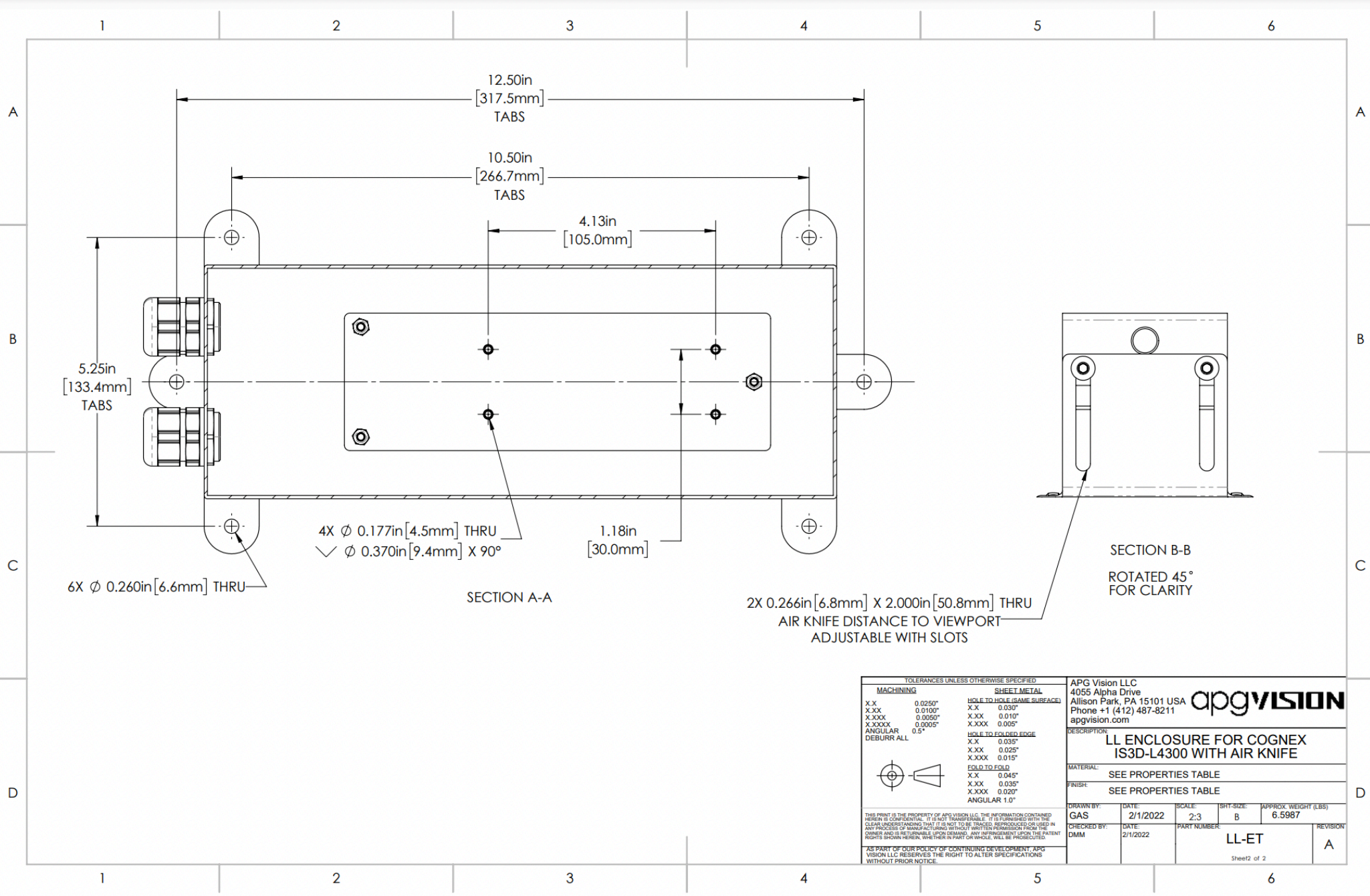


TOLERANCES UNLESS OTHERWISE SPECIFIED	
MACHINING	SHEET METAL
X.X 0.0250"	X.X 0.030"
X.XX 0.0100"	X.XX 0.010"
X.XXX 0.0050"	X.XXX 0.005"
X.XXXX 0.0005"	X.XXX 0.005"
ANGULAR 0.5°	
DEBURR ALL	
	HOLE TO HOLE (SAME SURFACE)
	X.X 0.035"
	X.XX 0.025"
	X.XXX 0.015"
	HOLE TO FOLDED EDGE
	X.X 0.035"
	X.XX 0.045"
	X.XX 0.035"
	X.XXX 0.020"
	ANGULAR 1.0°

APG Vision LLC 4055 Alpha Drive Allison Park, PA 15101 USA Phone +1 (412) 487-8211 apgvision.com		apgvision	
DESCRIPTION: LL ENCLOSURE FOR COGNEX IS3D-L4300 WITH AIR KNIFE			
MATERIAL: SEE PROPERTIES TABLE			
FINISH: SEE PROPERTIES TABLE			
DRAWN BY: GAS	DATE: 2/1/2022	SCALE: 1:3	APPROX. WEIGHT (LBS): 6.5987
CHECKED BY: DMM	DATE: 2/1/2022	PART NUMBER: LL-ET	REVISION: A
Sheet of 2			

THIS PRINT IS THE PROPERTY OF APG VISION LLC. THE INFORMATION CONTAINED HEREIN IS CONFIDENTIAL. IT IS NOT TRANSFERABLE. IT IS FURNISHED WITH THE CLEAR UNDERSTANDING THAT IT IS NOT TO BE REPRODUCED, REPRODUCED OR USED IN ANY PROCESS OF MANUFACTURING WITHOUT WRITTEN PERMISSION FROM THE OWNER AND IS RETURNABLE UPON DEMAND. ANY INFRINGEMENT UPON THE PATENT RIGHTS SHOWN HEREIN, WHETHER IN PART OR WHOLE, WILL BE PROSECUTED.

AS PART OF OUR POLICY OF CONTINUING DEVELOPMENT, APG VISION LLC RESERVES THE RIGHT TO ALTER SPECIFICATIONS WITHOUT PRIOR NOTICE.



TOLERANCES UNLESS OTHERWISE SPECIFIED

MACHINING	SHEET METAL
X.X 0.0250"	HOLE TO HOLE (SAME SURFACE) X.X 0.030"
X.XX 0.0100"	X.XX 0.010"
X.XXX 0.0050"	X.XXX 0.005"
X.XXXX 0.0005"	
ANGULAR 0.5°	HOLE TO EDGE/EDGE X.X 0.035"
DEBURR ALL	X.XX 0.025"
	X.XXX 0.015"
	FOLD TO FOLD X.X 0.045"
	X.XX 0.035"
	X.XXX 0.020"
	ANGULAR 1.0°

THIS PRINT IS THE PROPERTY OF APG VISION LLC. THE INFORMATION CONTAINED HEREIN IS CONFIDENTIAL. IT IS NOT TO BE REPRODUCED, REPRODUCED OR USED IN ANY MANNER WITHOUT THE WRITTEN PERMISSION FROM THE COMPANY AND IS RETURNABLE UPON DEMAND. ANY INFRINGEMENT UPON THE PATENT RIGHTS SHOWN HEREIN, WHETHER IN PART OR WHOLE, WILL BE PROSECUTED.

AS PART OF OUR POLICY OF CONTINUING DEVELOPMENT, APG VISION LLC RESERVES THE RIGHT TO ALTER SPECIFICATIONS WITHOUT PRIOR NOTICE.

APG Vision LLC
 4055 Alpha Drive
 Allison Park, PA 15101 USA
 Phone +1 (412) 487-8211
 apgvision.com

apgvision

DESCRIPTION:
**LL ENCLOSURE FOR COGNEX
 IS3D-L4300 WITH AIR KNIFE**

MATERIAL:
 SEE PROPERTIES TABLE

FINISH:
 SEE PROPERTIES TABLE

DRAWN BY: GAS	DATE: 2/1/2022	SCALE: 2:3	SHT-SIZE: B	APPROX. WEIGHT (LBS): 6.5987
CHECKED BY: DMM	DATE: 2/1/2022	PART NUMBER: LL-ET	REVISION: A	

Sheet 2 of 2