

1 2 3 4 5 6

A

B

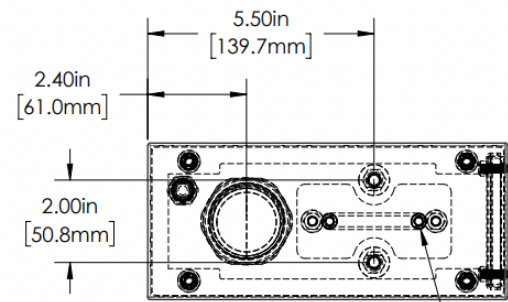
C

A

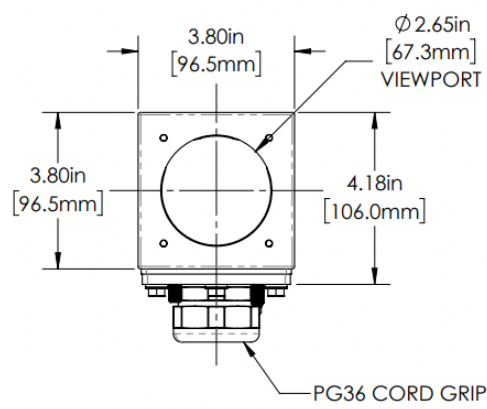
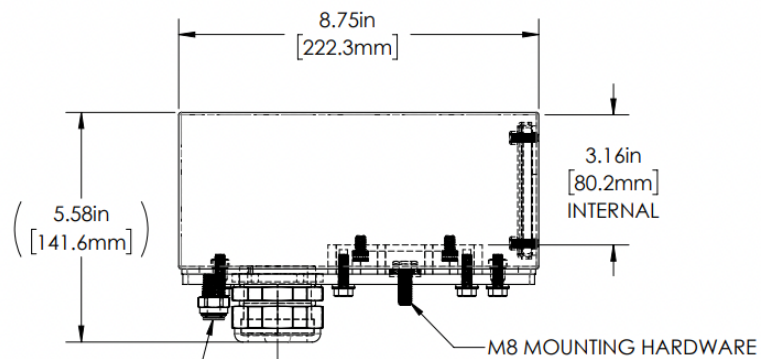
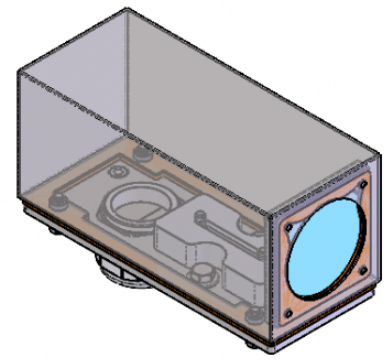
B

C

REVISIONS				
ZONE	REV.	DESCRIPTION	DATE	APPROVED
	A	RELEASED FOR PRODUCTION	10/7/2021	DMM



0.265in [6.73mm] X 2.430in [61.72mm] THRU
 0.400in [10.16mm] ∇ 0.556in [14.12mm]



38S SERIES PROPERTIES TABLE

ENVIRONMENT RATING	IP52*	
	(*RATING MAY CHANGE IF INSTALLER MILLS CABLE GLAND OUTSIDE OF TOLERANCE)	
COMPONENT	MATERIAL	FINISH
BODY/BASE	316 SS	BURNISHED
VIEWPORT	SODA LIME GLASS	NONE
GASKET	SILICONE	NONE
ARM/ADAPTOR	6061 ALUMINUM	NONE
HARDWARE	316 SS - EXTERNAL, 18-8 SS - INTERNAL	NONE



TOLERANCES UNLESS OTHERWISE SPECIFIED	
MACHINING	SHEET METAL
X.X 0.0250"	HOLE TO HOLE (SAME SURFACE)
X.XXX 0.0100"	X.X 0.030"
X.XXX 0.0050"	X.XX 0.010"
X.XXXX 0.0005"	X.XXX 0.005"
ANGULAR 0.5°	HOLE TO FOLDED EDGE
DEBURR ALL	X.X 0.035"
	X.XX 0.025"
	X.XXX 0.015"
	EGLD TO EGLD
	X.X 0.045"
	X.XX 0.035"
	X.XXX 0.020"
	ANGULAR 1.0°

APG Vision LLC 4055 Alpha Drive Allison Park, PA 15101 USA Phone +1 (412) 487-8211 apgvision.com				
apgvision				
DESCRIPTION: 38S 8.75IN ENCLOSURE, ACFP, GLASS VP FOR PPT 5200				
MATERIAL: SEE BOM				
FINISH: SEE BOM				
DRAWN BY: DMM	DATE: 10/7/2021	SCALE: 1:3	SHT-SIZE: B	APPROX. WEIGHT (LBS): 5.5209
CHECKED BY: DMM	DATE: 10/7/2021	PART NUMBER: 38S-AD		REVISION: A
Sheet 1 of 1				

D

D

1 2 3 4 5 6