

1 2 3 4 5 6

A

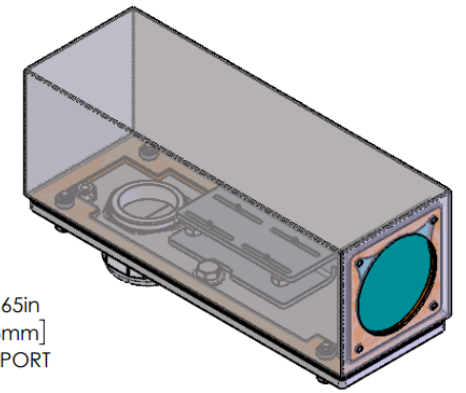
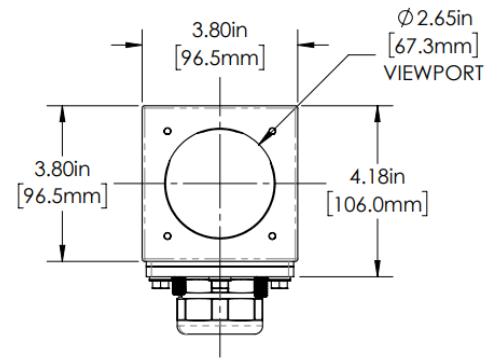
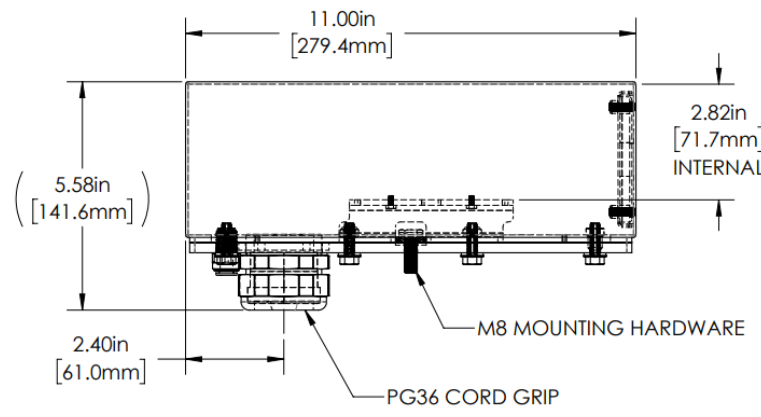
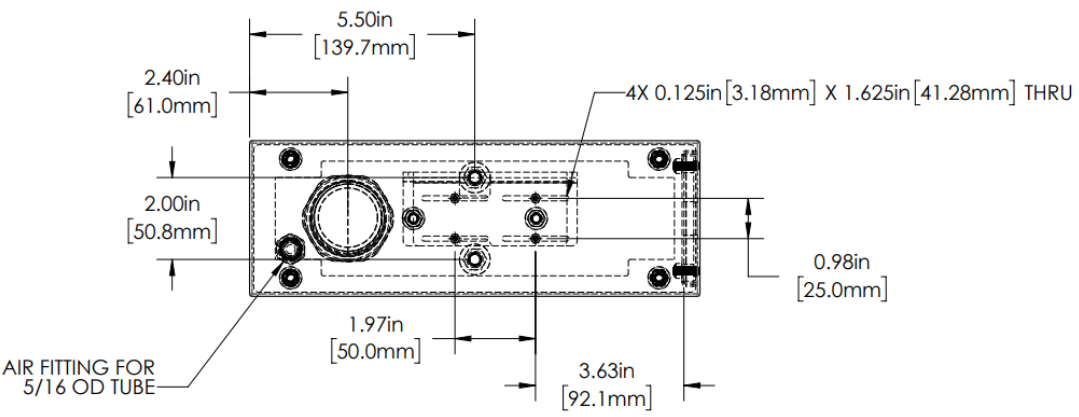
B

C

A

B

C



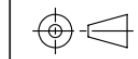
REVISIONS				
ZONE	REV.	DESCRIPTION	DATE	APPROVED
	A	RELEASED FOR PRODUCTION	1/11/2022	DMM

38S SERIES PROPERTIES TABLE

ENVIRONMENT RATING	IP52*	
	(*RATING MAY CHANGE IF INSTALLER MILLS CABLE GLAND OUTSIDE OF TOLERANCE)	
COMPONENT	MATERIAL	FINISH
BODY/BASE	316 SS	BURNISHED
VIEWPORT	CLEAR ACRYLIC	ABR2
GASKET	SILICONE	NONE
ARM/ADAPTOR	6061 ALUMINUM	NONE
HARDWARE	316 SS - EXTERNAL, 18-8 SS - INTERNAL	NONE



MACHINING		SHEET METAL		
X.X	0.0250"	HOLE TO HOLE (SAME SURFACE)	X.X	0.030"
X.XX	0.0100"		X.XX	0.010"
X.XXX	0.0050"		X.XXX	0.005"
X.XXXX	0.0005"		X.XXXX	0.0005"
ANGULAR	0.5°	HOLE TO FOLDED EDGE	X.X	0.035°
DEBURR	ALL		X.XXX	0.025°
		FOLD TO FOLD	X.X	0.015°
			X.XX	0.045°
			X.XX	0.035°
			X.XXX	0.020°
			ANGULAR	1.0°



THIS PRINT IS THE PROPERTY OF APG VISION LLC. THE INFORMATION CONTAINED HEREIN IS CONFIDENTIAL. IT IS NOT TRANSFERABLE. IT IS FURNISHED WITH THE CLEAR UNDERSTANDING THAT IT IS TO BE TRACED, REPRODUCED OR USED IN ANY PROCESS OF MANUFACTURING WITHOUT WRITTEN PERMISSION FROM THE COMPANY AND IS RETURNABLE UPON DEMAND. ANY OF OUR PATENTS AND PATENT RIGHTS SHOWN HEREIN, WHETHER IN PART OR WHOLE, WILL BE PROTECTED.

THIS PART OF OUR POLICY OF CONTINUING DEVELOPMENT APG VISION LLC RESERVES THE RIGHT TO ALTER SPECIFICATIONS WITHOUT PRIOR NOTICE.

APG Vision LLC 4055 Alpha Drive Allison Park, PA 15101 USA Phone +1 (412) 487-8211 apgvision.com		apgvision	
DESCRIPTION: 38S 11IN BODY, ACFP, 25mm O.C. SLOTTED ARM			
MATERIAL: SEE BOM			
FINISH: SEE BOM			
DRAWN BY: DMM	DATE: 1/11/2022	SCALE: 1:3	SHIT-SIZE: B
APPROX. WEIGHT (LBS): 6.7778			
CHECKED BY: DMM	DATE: 1/11/2022	PART NUMBER: 38S-BG	REVISION: A
Sheet 1 of 1			

1 2 3 4 5 6

D