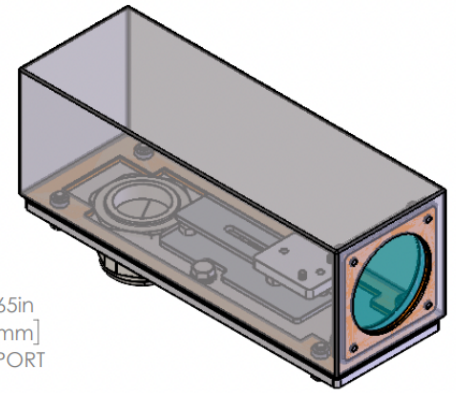
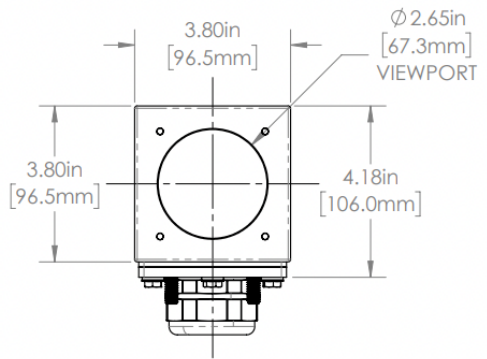
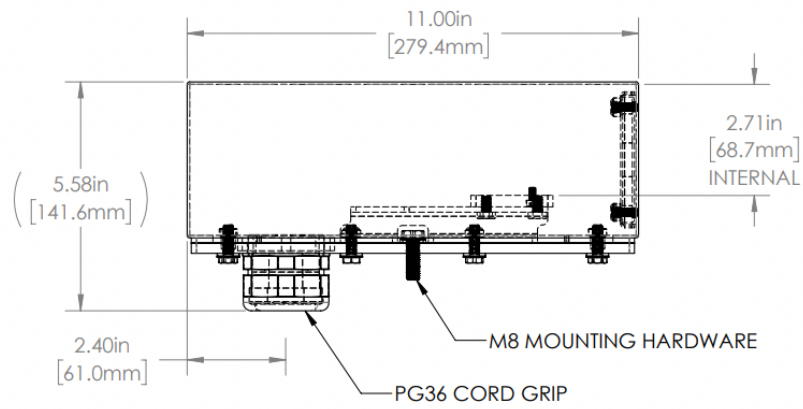
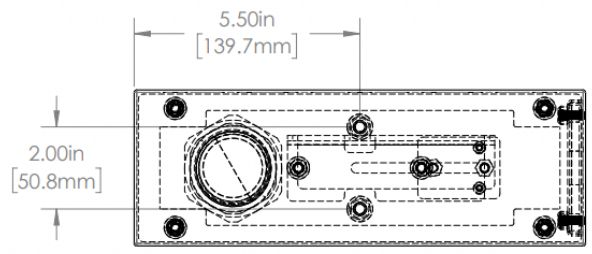


REVISIONS				
ZONE	REV.	DESCRIPTION	DATE	APPROVED
	A	RELEASED FOR CUSTOMER APPROVAL	10/21/2021	DMM



38S SERIES PROPERTIES TABLE

ENVIRONMENT RATING	IP68*	
	(*RATING MAY CHANGE IF INSTALLER MILLS CABLE GLAND OUTSIDE OF TOLERANCE)	
COMPONENT	MATERIAL	FINISH
BODY/BASE	316 SS	BURNISHED
VIEWPORT	CLEAR FLOW COAT ACRYLIC	ABR2
GASKET	SILICONE	NONE
ARM	304 SS	NONE
ADAPTER	6061 ALUMINUM	NONE
HARDWARE	316 SS - EXTERNAL 18-8 SS - INTERNAL	NONE



MACHINING		SHEET METAL	
X.X	0.0250"	HOLE TO HOLE (SAME SURFACE)	X.X
X.XX	0.0100"		X.X
X.XXX	0.0050"		X.XX
X.XXXX	0.0005"		X.XXX
ANGULAR	0.5°	HOLE TO FOLDED EDGE	X.XX
DEBURR ALL			X.XX
		FOLD TO FOLD	X.X
			X.XX
			X.XXX
			ANGULAR 1.0°

APG Vision LLC 4055 Alpha Drive Allison Park, PA 15101 USA Phone +1 (412) 487-8211 apgvision.com			
DESCRIPTION: 38S 11IN SEALED ENCLOSURE, PG36 CORD GRIP OUT BOTTOM			
MATERIAL: SEE PROPERTIES TABLE			
FINISH: SEE PROPERTIES TABLE			
DRAWN BY: DMM	DATE: 10/21/2021	SCALE: 1:3	SHT-SIZE: B
CHECKED BY: DMM	DATE: 10/21/2021	PART NUMBER: 38S-BT	APPROX. WEIGHT (LBS): 6.8163
			REVISION: A
Sheet 1 of 1			

THIS PRINT IS THE PROPERTY OF APG VISION LLC. THE INFORMATION CONTAINED HEREIN IS CONFIDENTIAL. IT IS NOT TRANSFERABLE. IT IS FURNISHED WITH THE CLEAR UNDERSTANDING THAT IT IS NOT TO BE TRADED, REPRODUCED OR USED IN ANY PROCESS OF MANUFACTURING WITHOUT WRITTEN PERMISSION FROM THE OWNER AND IS RETURNABLE UPON DEMAND. ANY INFRINGEMENT UPON THE PATENT RIGHTS SHOWN HEREIN, WHETHER IN PART OR WHOLE, WILL BE PROSECUTED.

AS PART OF OUR POLICY OF CONTINUING DEVELOPMENT, APG VISION LLC RESERVES THE RIGHT TO ALTER SPECIFICATIONS WITHOUT PRIOR NOTICE.