

1 2 3 4 5 6

A

B

C

D

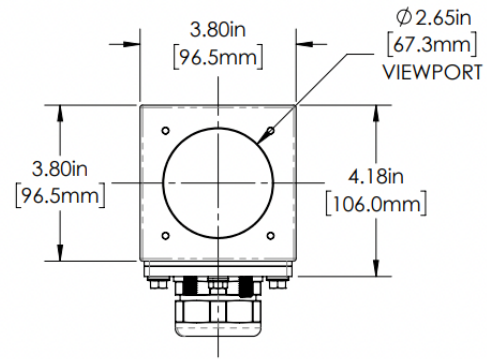
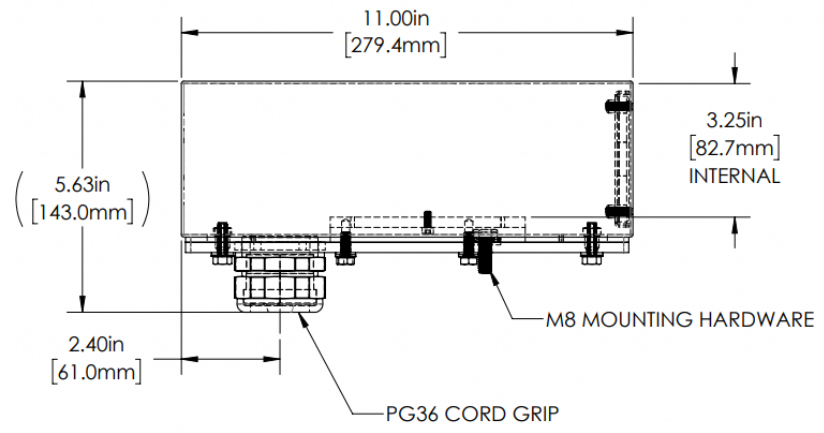
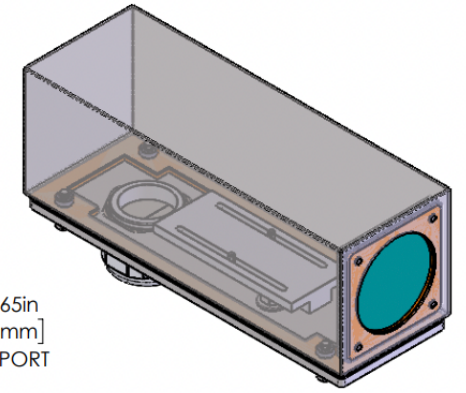
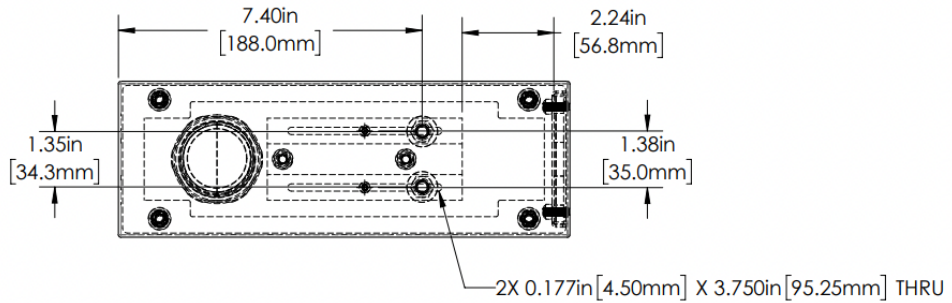
A

B

C

D

| REVISIONS | | | | |
|-----------|------|--------------------------------|------------|----------|
| ZONE | REV. | DESCRIPTION | DATE | APPROVED |
| | A | RELEASED FOR CUSTOMER APPROVAL | 11/29/2021 | DMM |



| 38S SERIES PROPERTIES TABLE | | |
|-----------------------------|--|---------------|
| ENVIRONMENT RATING | IP68* | |
| | (*RATING MAY CHANGE IF INSTALLER MILLS CABLE GLAND OUTSIDE OF TOLERANCE) | |
| COMPONENT | MATERIAL | FINISH |
| BODY/BASE | 316 SS | BURNISHED |
| VIEWPORT | CLEAR ACRYLIC | ABR2 |
| GASKET | SILICONE | NONE |
| ARM/ADAPTOR | 6061 ALUMINUM | NONE |
| HARDWARE | 316 SS - EXTERNAL, 18-8 SS - INTERNAL | NONE |



| MACHINING | | SHEET METAL | |
|-----------|---------|-----------------------------|--------------|
| X.X | 0.0250" | HOLE TO HOLE (SAME SURFACE) | X.XX |
| X.XXX | 0.0100" | | X.XX |
| X.XXXX | 0.0050" | | X.XXX |
| X.XXXXX | 0.0005" | | X.XXXX |
| ANGULAR | 0.5° | HOLE TO FOLDED EDGE | X.XX |
| DEBURR | ALL | | X.XX |
| | | | X.XXX |
| | | FOLD TO FOLD | X.XX |
| | | | X.XX |
| | | | X.XXX |
| | | | ANGULAR 1.0° |

| | | | |
|--|---------------------|-------------------------------|----------------|
| APG Vision LLC 4055 Alpha Drive Allison Park, PA 15101 USA Phone +1 (412) 487-8211 apgvision.com | | apgvision | |
| DESCRIPTION: 38S 11N BODY SEALED ENCLOSURE, ACRYLIC VP, 35mm O.C. ARM | | | |
| MATERIAL: SEE BOM | | | |
| FINISH: SEE BOM | | | |
| DRAWN BY: DMM | DATE: 11/29/2021 | SCALE: 1:3 | SHT-SIZE: B |
| APPROX. WEIGHT (LBS): 6.5014 | | PART NUMBER: 38S-FP | REVISION: A |
| Sheet 1 of 1 | | | |

THIS PRINT IS THE PROPERTY OF APG VISION LLC. THE INFORMATION CONTAINED HEREIN IS CONFIDENTIAL. IT IS NOT TO BE REPRODUCED, COPIED, OR USED IN ANY MANNER WITHOUT WRITTEN PERMISSION FROM THE COMPANY AND IS RETURNABLE UPON DEMAND. ANY VIOLATION OF THE PATENT RIGHTS SHOWN HEREIN, WHETHER IN PART OR WHOLE, WILL BE PROSECUTED.

AS PART OF OUR POLICY OF CONTINUING DEVELOPMENT, APG VISION LLC RESERVES THE RIGHT TO ALTER SPECIFICATIONS WITHOUT PRIOR NOTICE.

1 2 3 4 5 6