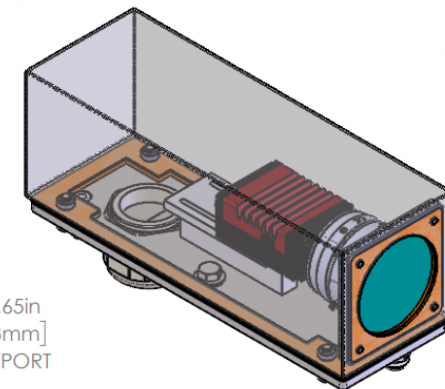
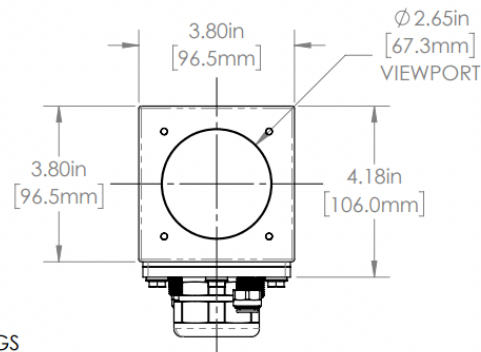
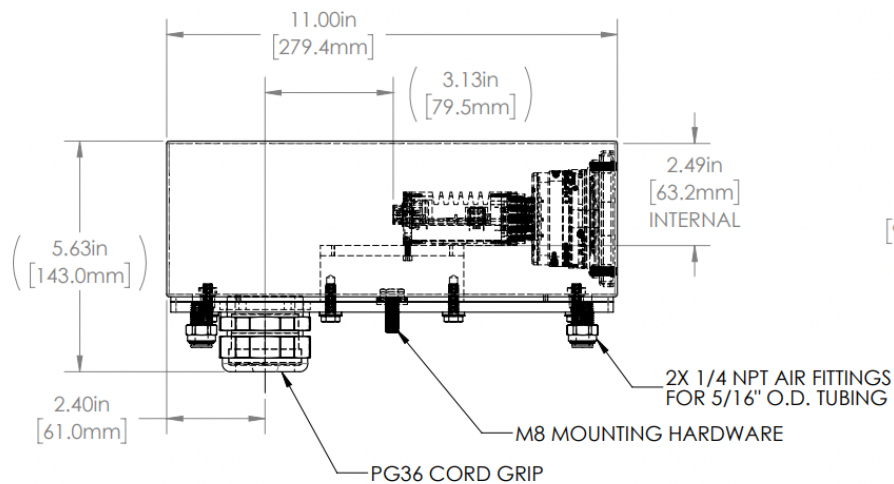


CAMERA & LENS NOT SHOWN FOR CLARITY



REVISIONS				
ZONE	REV.	DESCRIPTION	DATE	APPROVED
	A	RELEASED FOR CUSTOMER APPROVAL	8/16/2021	DMM

38S SERIES PROPERTIES TABLE

ENVIRONMENT RATING	IP68*	
	(*RATING MAY CHANGE IF INSTALLER MILLS CABLE GLAND OUTSIDE OF TOLERANCE)	
COMPONENT	MATERIAL	FINISH
BODY/BASE	316 SS	BURNISHED
VIEWPORT	CLEAR ACRYLIC	ABR2
GASKET	SILICONE	NONE
ARM/ADAPTOR	6061 ALUMINIUM	NONE
HARDWARE	316 SS - EXTERNAL, 18-8 SS - INTERNAL	NONE

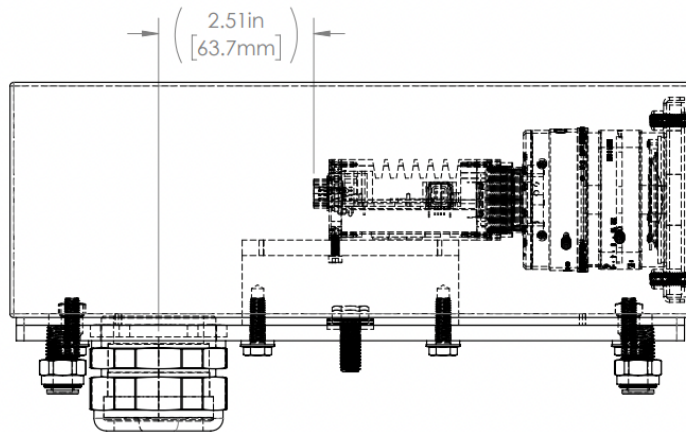
SHOWN WITH TAMRON M23FM06 LENS

MACHINING		SHEET METAL	
X.X	0.0250"	HOLE TO HOLE (SAME SURFACE)	X.X
X.XX	0.0100"		X.X
X.XXX	0.0050"		X.XX
X.XXXX	0.0005"		X.XXX
ANGULAR	0.5°	HOLE TO FOLDED EDGE	X.X
DEBURR	ALL		X.XX
			X.XXX
		FOLD TO FOLD	X.X
			X.XX
			X.XXX
			ANGULAR 1.0°

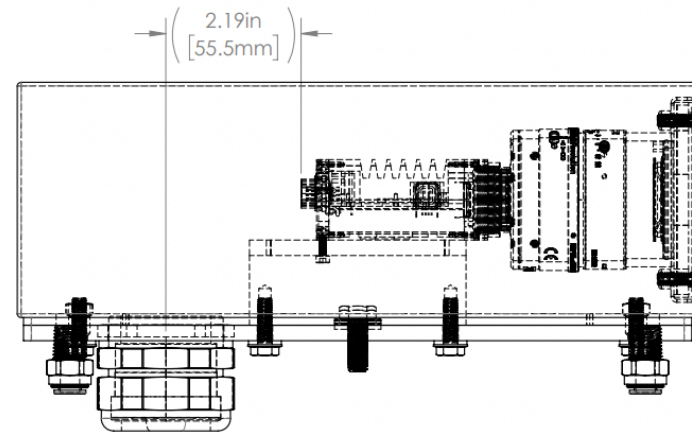
APG Vision LLC 4055 Alpha Drive Allison Park, PA 15101 USA Phone +1 (412) 487-8211 apgvision.com				
DESCRIPTION: 38S 11IN BODY SEALED ENCLOSURE WITH AIR FITTINGS FOR ALLIED VISION PROSILICA GT-2000 NIR WITH TAMRON LENSES				
MATERIAL: SEE BOM				
FINISH: SEE BOM				
DRAWN BY: DMM	DATE: 8/16/2021	SCALE: 1:3	SHT-SIZE: B	APPROX. WEIGHT (LBS) 6.8304
CHECKED BY: DMM	DATE: 8/16/2021	PART NUMBER: 38S-GA		REVISION A
Sheet 1 of 2				

THIS PRINT IS THE PROPERTY OF APG VISION LLC. THE INFORMATION CONTAINED HEREIN IS CONFIDENTIAL. IT IS NOT TO BE REPRODUCED, COPIED, OR USED IN ANY PROCESS OF MANUFACTURING WITHOUT WRITTEN PERMISSION FROM THE OWNER AND IS RETURNABLE UPON DEMAND. ANY INFRACTION OF THE PATENT RIGHTS SHOWN HEREIN, WHETHER IN PART OR WHOLE, WILL BE PROSECUTED.

AS PART OF OUR POLICY OF CONTINUING DEVELOPMENT, APG VISION LLC RESERVES THE RIGHT TO ALTER SPECIFICATIONS WITHOUT PRIOR NOTICE.



SHOWN WITH TAMRON M23FM08 LENS



SHOWN WITH TAMRON M23FM12 LENS

TOLERANCES UNLESS OTHERWISE SPECIFIED		APG Vision LLC 4055 Alpha Drive Allison Park, PA 15101 USA Phone +1 (412) 487-8211 apgvision.com	
MACHINING		SHEET METAL	
X.X	0.0250"	HOLE TO HOLE (SAME SURFACE)	
X.XX	0.0100"	X.X	0.030"
X.XXX	0.0050"	X.XX	0.010"
X.XXXX	0.0005"	X.XXX	0.005"
ANGULAR	0.5°	HOLE TO FOLDED EDGE	
DEBURR ALL		X.X	0.035"
		X.XX	0.025"
		X.XXX	0.015"
		EOLD TO EOLD	
		X.X	0.045"
		X.XX	0.035"
		X.XXX	0.020"
		ANGULAR	1.0°
		DESCRIPTION: 38S 111N BODY SEALED ENCLOSURE WITH AIR FITTINGS FOR ALLIED VISION PROSILICA GT-2000 NIR WITH TAMRON LENSES	
		MATERIAL: SEE BOM	
		FINISH: SEE BOM	
<small>THIS PRINT IS THE PROPERTY OF APG VISION LLC. THE INFORMATION CONTAINED HEREIN IS CONFIDENTIAL. IT IS NOT TRANSFERABLE. IT IS FURNISHED WITH THE CLEAR UNDERSTANDING THAT IT IS NOT TO BE TRACED, REPRODUCED OR USED IN ANY PROCESSES OF MANUFACTURING WITHOUT WRITTEN PERMISSION FROM THE OWNER AND IS RETURNABLE UPON DEMAND. ANY INFRINGEMENT UPON THE PATENT RIGHTS SHOWN HEREIN WHETHER IN PART OR WHOLE, WILL BE PROSECUTED.</small>		DRAWN BY: DMM	DATE: 8/16/2021
<small>AS PART OF OUR POLICY OF CONTINUING DEVELOPMENT, APG VISION LLC RESERVES THE RIGHT TO ALTER SPECIFICATIONS WITHOUT PRIOR NOTICE.</small>		CHECKED BY: DMM	DATE: 8/16/2021
		SCALE: 1:2	SHT-SIZE: B
		APPROX. WEIGHT (LBS) 6.8925	
		PART NUMBER: 38S-GA	REVISION A
		<small>Sheet 2 of 2</small>	