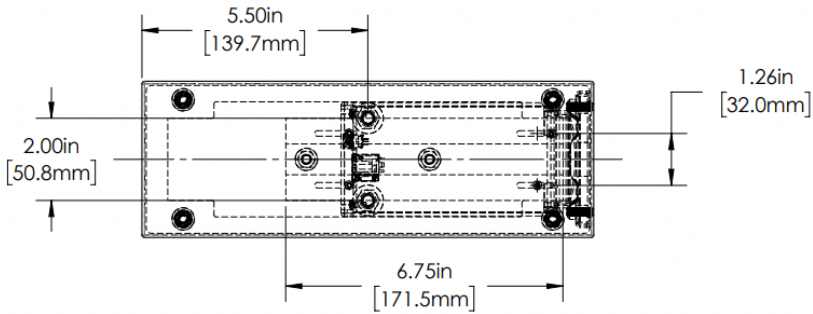
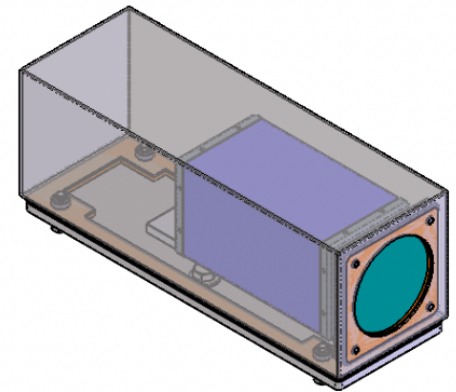
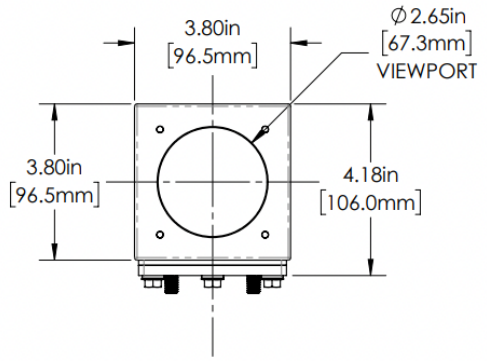
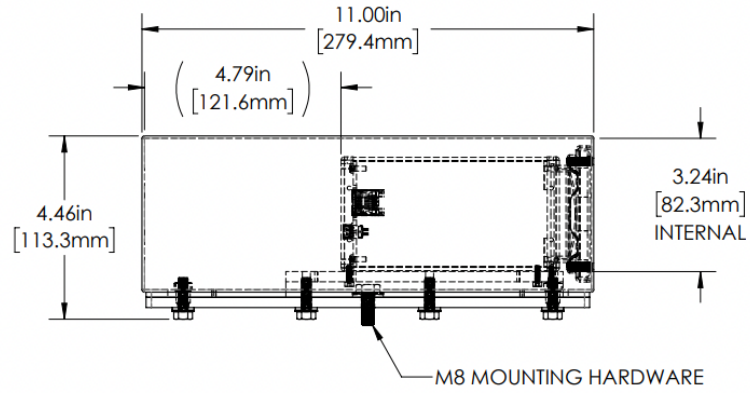


1 2 3 4 5 6

A



B



A

B

C

REVISIONS				
ZONE	REV.	DESCRIPTION	DATE	APPROVED
	A	RELEASED FOR PRODUCTION	10/13/2021	DMM

C

**38S SERIES PROPERTIES TABLE**

<b>ENVIRONMENT RATING</b>	IP68*	
	(*RATING MAY CHANGE IF INSTALLER MILLS CABLE GLAND OUTSIDE OF TOLERANCE)	
<b>COMPONENT</b>	<b>MATERIAL</b>	<b>FINISH</b>
BODY/BASE	316 SS	BURNISHED
VIEWPORT	CLEAR ACRYLIC	ABR2
GASKET	SILICONE	NONE
ARM/ADAPTOR	6061 ALUMINUM	NONE
HARDWARE	316 SS - EXTERNAL, 18-8 SS - INTERNAL	NONE



TOLERANCES UNLESS OTHERWISE SPECIFIED	
MACHINING	SHEET METAL
X.X 0.0250"	HOLE TO HOLE (SAME SURFACE) X.X 0.0500"
X.XX 0.0100"	X.XX 0.010"
X.XXX 0.0050"	X.XXX 0.005"
X.XXXX 0.0005"	HOLE TO FOLDED EDGE X.X 0.035"
ANGULAR 0.5°	X.XX 0.025"
	X.XXX 0.015"
	FOLD TO FOLD X.X 0.045"
	X.XX 0.035"
	X.XXX 0.020"
	ANGULAR 1.0°

APG Vision LLC 4055 Alpha Drive Allison Park, PA 15101 USA Phone +1 (412) 487-8211 apgvision.com			
<b>apgVISION</b>			
DESCRIPTION: <b>38S 11IN BODY SEALED ENCLOSURE 32mm O.C. ARM, NO CORD GRIP</b>			
MATERIAL: <b>SEE BOM</b>			
FINISH: <b>SEE BOM</b>			
DRAWN BY: <b>DMM</b>	DATE: 10/13/2021	SCALE: 1:3	SHIT-SIZE: B
CHECKED BY: <b>DMM</b>	DATE: 10/13/2021	APPROX. WEIGHT (LBS) 6.9164	
PART NUMBER: <b>38S-GB</b>		REVISION: <b>A</b>	
Sheet 1 of 1			

1 2 3 4 5 6

D