

1 2 3 4 5 6

A

B

C

D

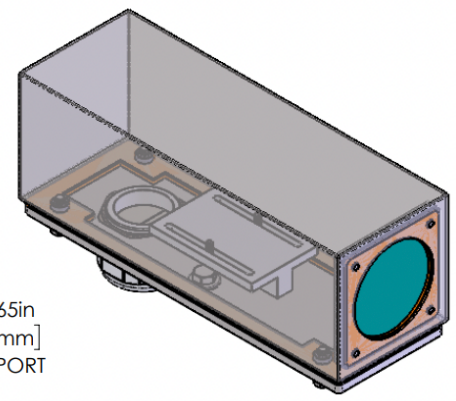
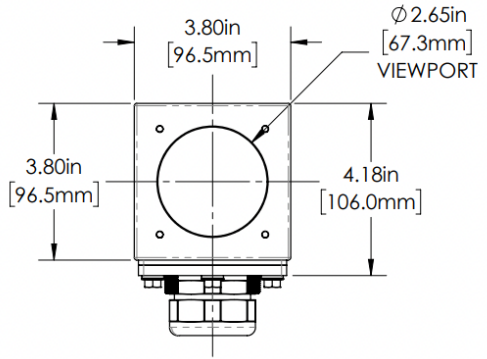
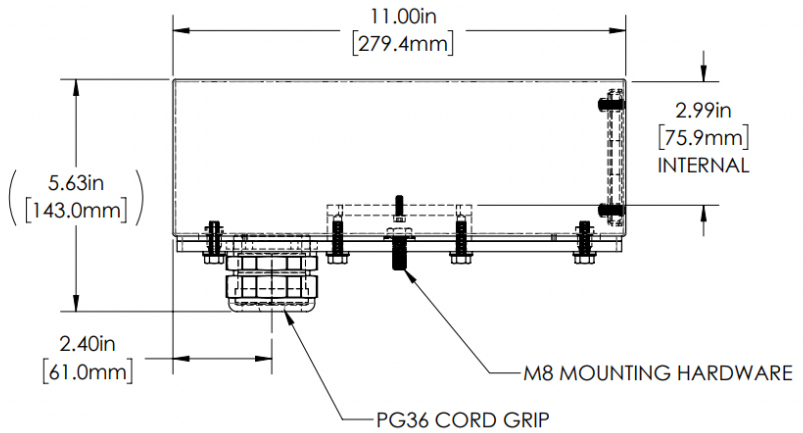
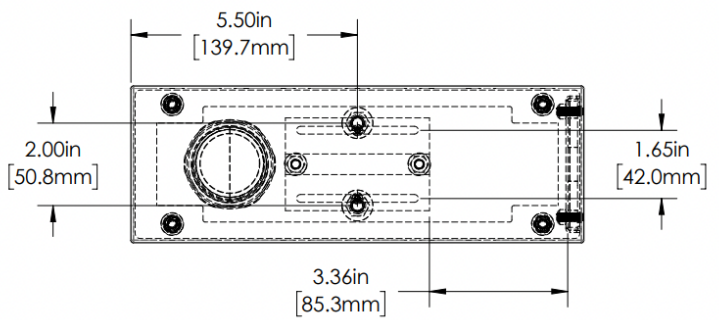
A

B

C

D

REVISIONS				
ZONE	REV.	DESCRIPTION	DATE	APPROVED
	A	RELEASED FOR PRODUCTION	1/27/2022	DMM



38S SERIES PROPERTIES TABLE		
ENVIRONMENT RATING	IP68*	
	[*RATING MAY CHANGE IF INSTALLER MILLS CABLE GLAND OUTSIDE OF TOLERANCE]	
COMPONENT	MATERIAL	FINISH
BODY/BASE	316 SS	BURNISHED
VIEWPORT	CLEAR ACRYLIC	ABR2
GASKET	SILICONE	NONE
ARM/ADAPTOR	6061 ALUMINUM	NONE
HARDWARE	316 SS - EXTERNAL, 18-8 SS - INTERNAL	NONE



MACHINING		SHEET METAL	
X.X	0.0250°	HOLE TO HOLE (SAME SURFACE)	X.X
X.XX	0.0100°		X.X
X.XXX	0.0050°		X.XX
X.XXXX	0.0005°		X.XXX
ANGULAR	0.5°	HOLE TO FOLDED EDGE	X.XX
DEBURR	ALL		X.XX
		FOLD TO FOLD	X.X
			X.XX
			X.XXX
			ANGULAR 1.0°

APG Vision LLC 4055 Alpha Drive Allison Park, PA 15101 USA Phone +1 (412) 487-8211 apgvision.com				
DESCRIPTION: 38S 11IN BODY SEALED ENCLOSURE FOR DALSA LINEA 2K AND KOWA LM35LF				
MATERIAL: SEE BOM				
FINISH: SEE BOM				
DRAWN BY:	DATE:	SCALE:	SHT-SIZE:	APPROX. WEIGHT (LBS):
DMM	1/26/2022	1:3	B	6.4521
CHECKED BY:	DATE:	PART NUMBER:		REVISION:
DMM	1/27/2022	38S-GE		A
Sheet 1 of 1				

1 2 3 4 5 6