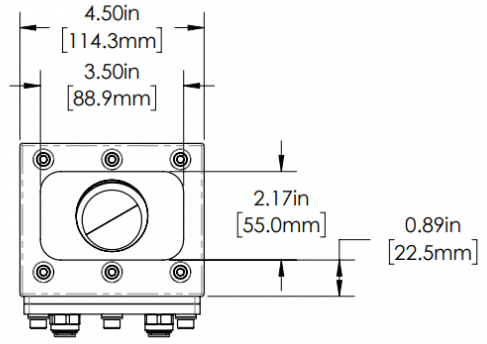
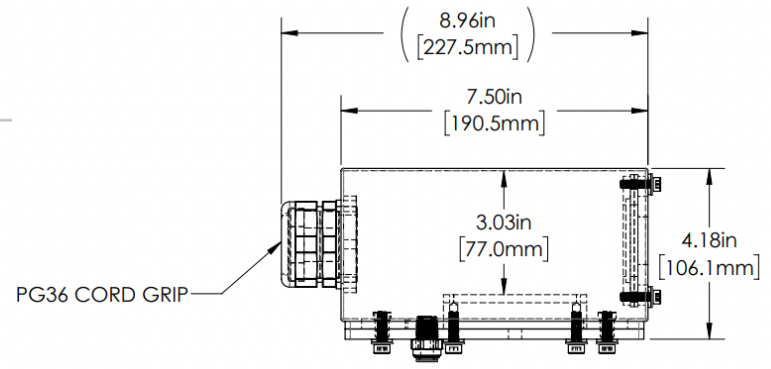
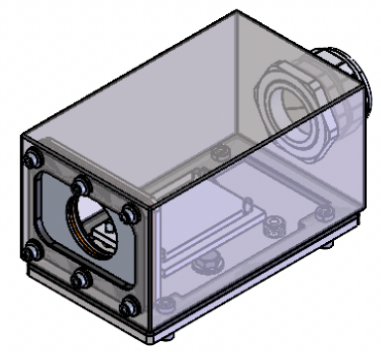


REVISIONS				
ZONE	REV.	DESCRIPTION	DATE	APPROVED
	A	RELEASED FOR PRODUCTION	11/2/2021	DMM

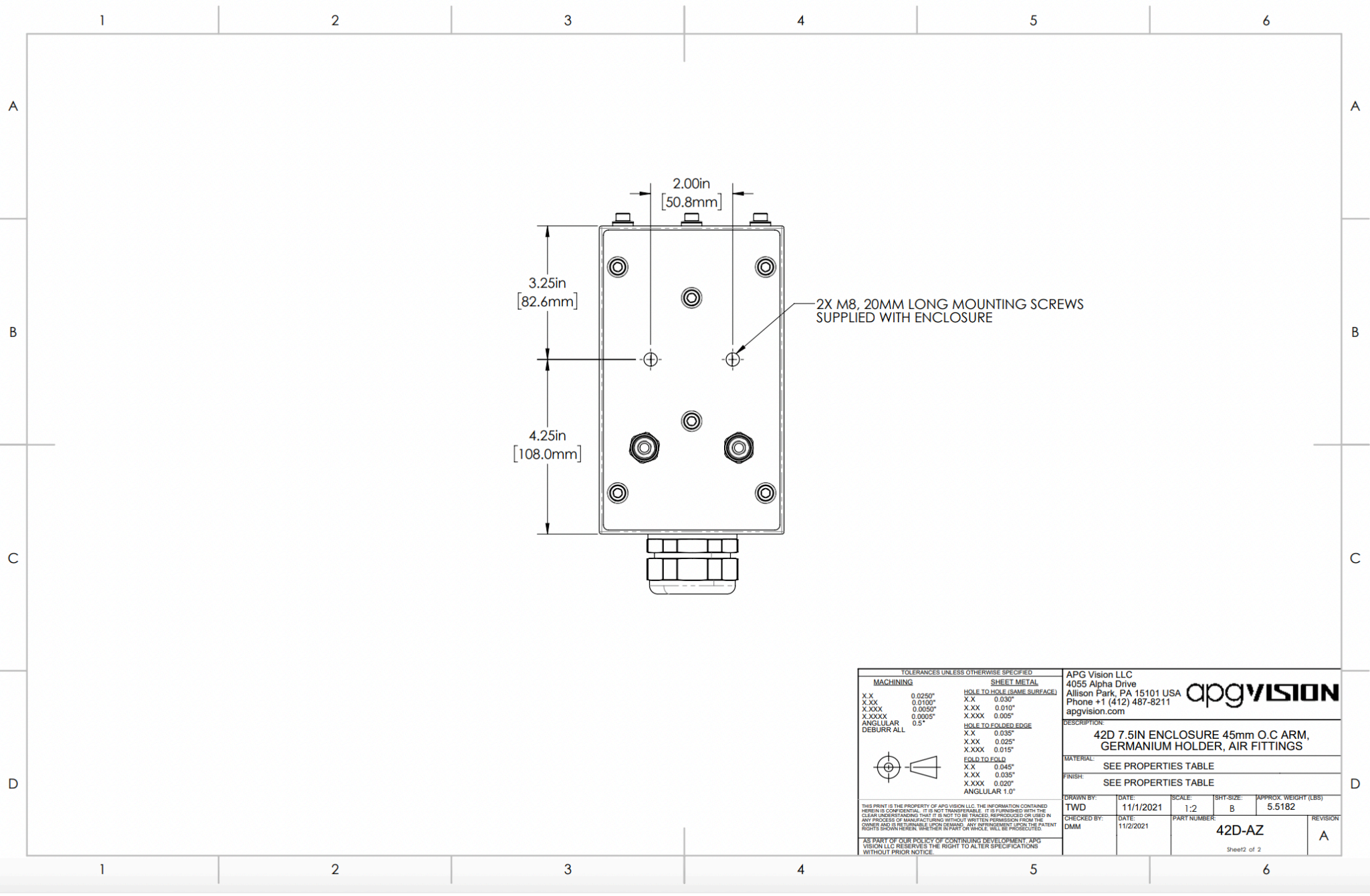


NOTE:
GERMANIUM VEIWPORIT SUPPLIED BY CUSTOMER (2.0" O.D. x 3mm THICK)

42D SERIES PROPERTIES TABLE		
ENVIRONMENT RATING	IP64*	
	(*RATING MAY CHANGE IF INSTALLER MILLS CABLE GLAND OUTSIDE OF TOLERANCE)	
COMPONENT	MATERIAL	FINISH
BODY	304 SS	BURNISHED
BASE	6061 ALUMINUM	CLEAR HARDCOAT ANODIZED
GASKET	EPDM FOAM	NONE
ARM/ADAPTOR	6061 ALUMINUM	NONE
HARDWARE	18-8 SS	NONE



TOLERANCES UNLESS OTHERWISE SPECIFIED MACHINING X.X 0.0250" X.XX 0.0100" X.XXX 0.0050" X.XXXX 0.0005" ANGULAR 0.5° DEBURR ALL		SHEET METAL HOLE TO HOLE (SAME SURFACE) X.X 0.030° X.XX 0.010° X.XXX 0.005° HOLE TO FOLDED EDGE X.X 0.035° X.XX 0.025° X.XXX 0.015° FOLD TO FOLD X.X 0.045° X.XX 0.035° X.XXX 0.020° ANGULAR 1.0°		APG Vision LLC 4055 Alpha Drive Allison Park, PA 15101 USA Phone +1 (412) 487-8211 apgvision.com apgVISION	
DESCRIPTION: 42D 7.5IN ENCLOSURE 45mm O.C ARM, GERMANIUM HOLDER, AIR FITTINGS					
MATERIAL: SEE PROPERTIES TABLE					
FINISH: SEE PROPERTIES TABLE					
DRAWN BY: TWD	DATE: 11/1/2021	SCALE: 1:3	SHI-SIZE: B	APPROX. WEIGHT (LBS) 5.5182	
CHECKED BY: DMM	DATE: 11/2/2021	PART NUMBER: 42D-AZ	REVISION A		
AS PART OF OUR POLICY OF CONTINUING DEVELOPMENT, APG VISION LLC RESERVES THE RIGHT TO ALTER SPECIFICATIONS WITHOUT PRIOR NOTICE.					



TOLERANCES UNLESS OTHERWISE SPECIFIED		APG Vision LLC 4055 Alpha Drive Allison Park, PA 15101 USA Phone +1 (412) 487-8211 apgvision.com			
MACHINING	SHEET METAL				
X.X 0.0250"	HOLE TO HOLE (SAME SURFACE)				
X.XX 0.0100"	X.X 0.030"	DESCRIPTION: 42D 7.5IN ENCLOSURE 45mm O.C ARM, GERMANIUM HOLDER, AIR FITTINGS			
X.XXX 0.0050"	X.XX 0.010"				
X.XXXX 0.0005"	X.XXX 0.005"	MATERIAL: SEE PROPERTIES TABLE			
ANGULAR 0.0005"	HOLE TO FOLDED EDGE				
DEBURR ALL 0.5"	X.X 0.035"	FINISH: SEE PROPERTIES TABLE			
	X.XX 0.025"				
	X.XXX 0.015"	DATE: 11/1/2021			
	EOLD TO FOLD				
	X.X 0.045"	SCALE: 1:2			
	X.XX 0.035"				
	X.XXX 0.020"	SRT-SIZE: B			
	ANGULAR 1.0"				
		APPROX. WEIGHT (LBS): 5.5182			
<small>THIS PRINT IS THE PROPERTY OF APG VISION LLC. THE INFORMATION CONTAINED HEREIN IS CONFIDENTIAL. IT IS NOT TRANSFERABLE. IT IS FURNISHED WITH THE CLEAR UNDERSTANDING THAT IT IS NOT TO BE REPRODUCED OR USED IN ANY PROCESS OF MANUFACTURING WITHOUT WRITTEN PERMISSION FROM THE OWNER AND IS RETURNABLE UPON DEMAND. ANY UNAUTHORIZED USE OF THE PATENT RIGHTS SHOWN HEREIN SHALL BE REPORTED IMMEDIATELY TO THE PATENT ATTORNEY.</small>		DRAWN BY: TWD		DATE: 11/1/2021	
<small>AS PART OF OUR POLICY OF CONTINUING DEVELOPMENT, APG VISION LLC RESERVES THE RIGHT TO ALTER SPECIFICATIONS WITHOUT PRIOR NOTICE.</small>		CHECKED BY: DMM		DATE: 11/2/2021	
		PART NUMBER: 42D-AZ		REVISION: A	