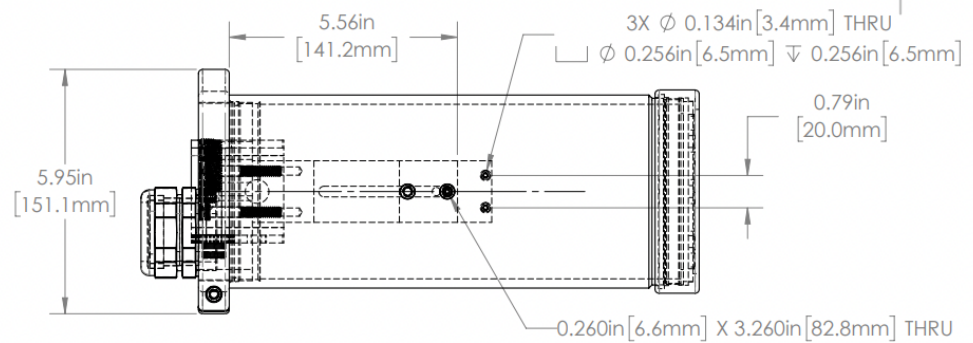


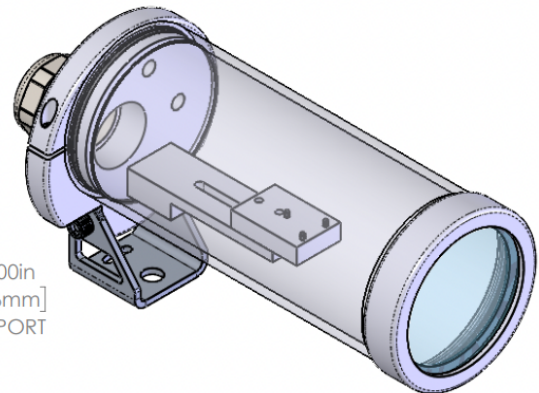
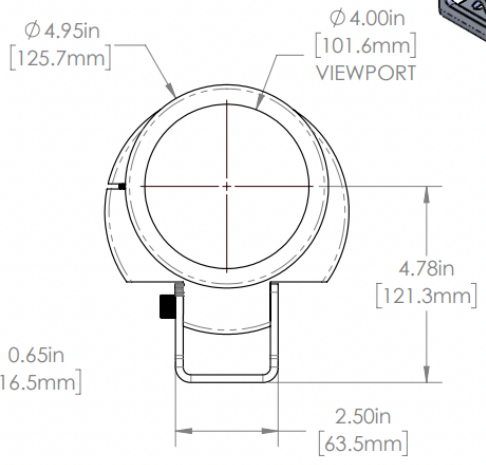
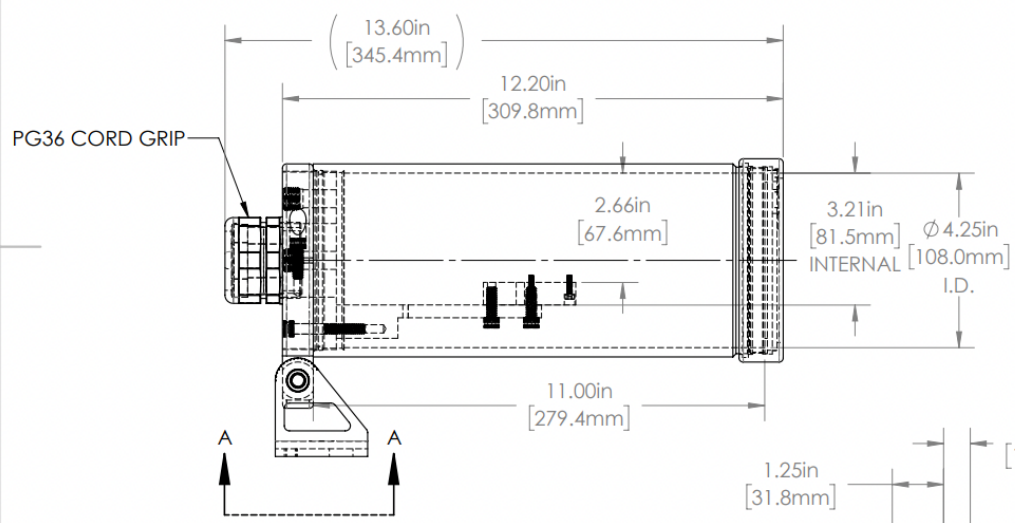
1 2 3 4 5 6

A

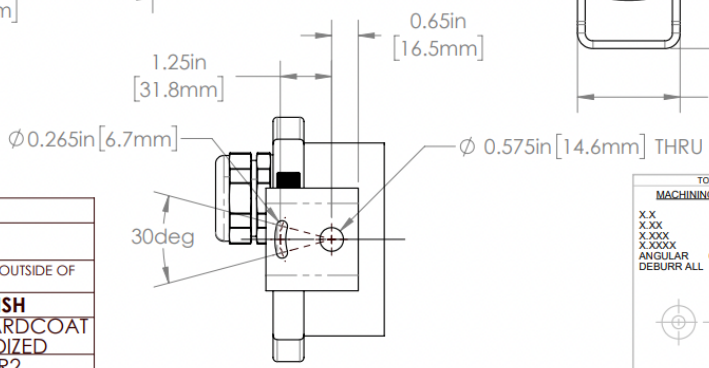


REVISIONS				
ZONE	REV.	DESCRIPTION	DATE	APPROVED
	A	REDRAWN RELEASED FOR PRODUCTION	9/3/2021	DMM

B



C



D

47C SERIES PROPERTIES TABLE		
ENVIRONMENT RATING	IP68*	
	(*RATING MAY CHANGE IF INSTALLER MILLS CABLE GLAND OUTSIDE OF TOLERANCE)	
COMPONENT	MATERIAL	FINISH
BODY/BASE/BARREL	6061 ALUMINUM	CLEAR HARD COAT ANODIZED
VIEWPORT	CLEAR FLOW COAT ACRYLIC	ABR2
GASKET	VITON	NONE
ARM/ADAPTER	6061 ALUMINUM	NONE
HARDWARE	18-8 SS	NONE

TOLERANCES UNLESS OTHERWISE SPECIFIED	
MACHINING	SHEET METAL
X.X 0.0250"	HOLE TO HOLE (SAME SURFACE) X.X 0.030"
X.XX 0.0100"	X.XX 0.030"
X.XXX 0.0050"	X.XX 0.0100"
X.XXXX 0.0005"	X.XXXX 0.0050"
ANGULAR 0.5°	X.XXXX 0.0050"
DEBURR ALL	HOLE TO FOLDED EDGE X.X 0.035"
	X.XX 0.025"
	X.XXX 0.015"
	EQUAL TO EQUAL X.X 0.045"
	X.XX 0.035"
	X.XXX 0.020"
	ANGULAR 1.0°

APG Vision LLC 4055 Alpha Drive Allison Park, PA 15101 USA Phone +1 (412) 487-8211 apgvision.com				
DESCRIPTION: 47C 11IN BARREL WITH 5IN CENTER SLOT ARM & 2.25IN BASLER ACE EXTENSION ARM				
MATERIAL: SEE BOM				
FINISH: SEE BOM				
DRAWN BY: DMM	DATE: 9/3/2021	SCALE: 1:3	SHT-SIZE: B	APPROX. WEIGHT (LBS) 7.5759
CHECKED BY: DMM	DATE: 9/3/2021	PART NUMBER: 47C-JB		REVISION: A

1 2 3 4 5 6