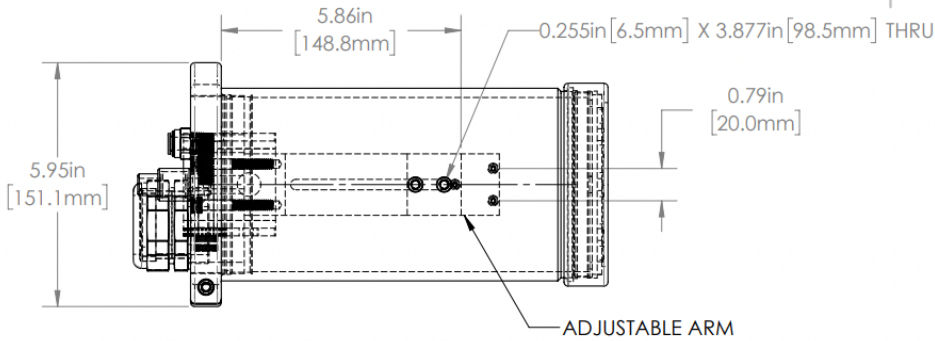


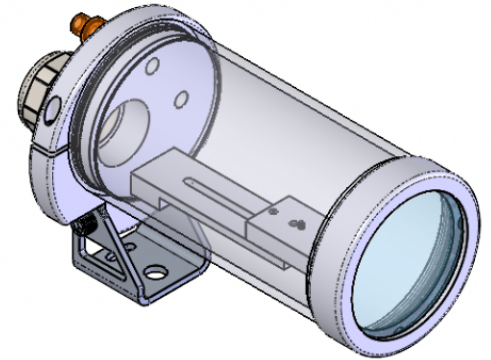
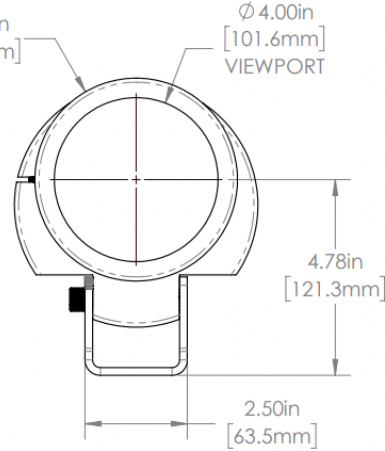
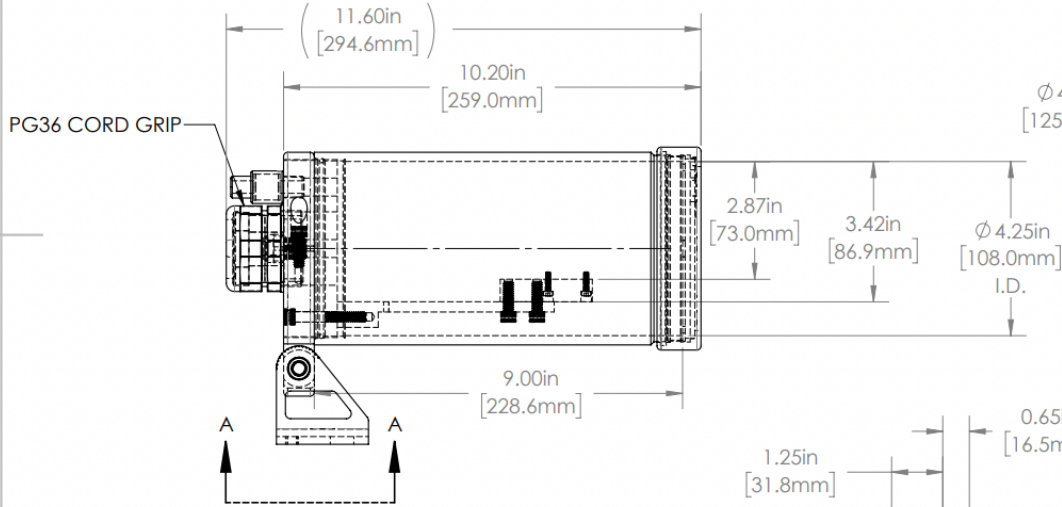
1 2 3 4 5 6

A

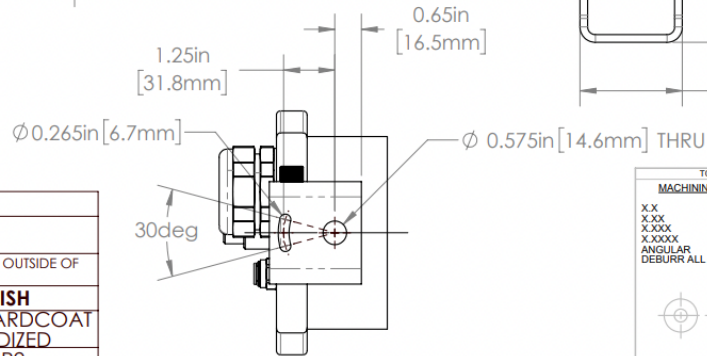


REVISIONS				
ZONE	REV.	DESCRIPTION	DATE	APPROVED
	A	RELEASED FOR PRODUCTION	10/25/2021	DMM

B



C



47C SERIES PROPERTIES TABLE

ENVIRONMENT RATING	IP68*	
	(*RATING MAY CHANGE IF INSTALLER MILLS CABLE GLAND OUTSIDE OF TOLERANCE)	
COMPONENT	MATERIAL	FINISH
BODY/BASE/BARREL	6061 ALUMINUM	CLEAR HARDCOAT ANODIZED
VIEWPORT	CLEAR FLOWCOAT ACRYLIC	ABR2
GASKET	VITON	NONE
ARM/ADAPTER	6061 ALUMINUM	NONE
HARDWARE	18-8 SS	NONE

TOLERANCES UNLESS OTHERWISE SPECIFIED		
MACHINING	SHEET METAL	HOLE TO HOLE (SAME SURFACE)
X.X	0.0250"	X.X
X.XX	0.0100"	X.X
X.XXX	0.0050"	X.XX
X.XXXX	0.0005"	X.XXX
ANGULAR	0.5°	X.XXX
DEBURR	ALL	
	HOLE TO FOLDED EDGE	
	X.X	0.035"
	X.XX	0.025"
	X.XXX	0.015"
	FOLD TO FOLD	
	X.X	0.045"
	X.XX	0.035"
	X.XXX	0.020"
	ANGULAR	1.0°

APG Vision LLC
4055 Alpha Drive
Allison Park, PA 15101 USA
Phone +1 (412) 487-8211
apgvision.com

apgvision

DESCRIPTION:
47C 9IN BARREL WITH 5.3IN CENTER SLOT ARM, 2.25IN BASLER ACE EXTENSION ARM, ACRYLIC VIEWPORT & RELIEF VALVE

MATERIAL:
SEE BOM

FINISH:
SEE BOM

DRAWN BY: DMM DATE: 10/25/2021 SCALE: 1:3 SHT-SIZE: B APPROX. WEIGHT (LBS): 6.8492

CHECKED BY: DMM DATE: 10/25/2021 PART NUMBER: **47C-LK** REVISION: A

AS PART OF OUR POLICY OF CONTINUING DEVELOPMENT, APG VISION LLC RESERVES THE RIGHT TO ALTER SPECIFICATIONS WITHOUT PRIOR NOTICE.

Sheet 1 of 1

1 2 3 4 5 6

A

B

C

D