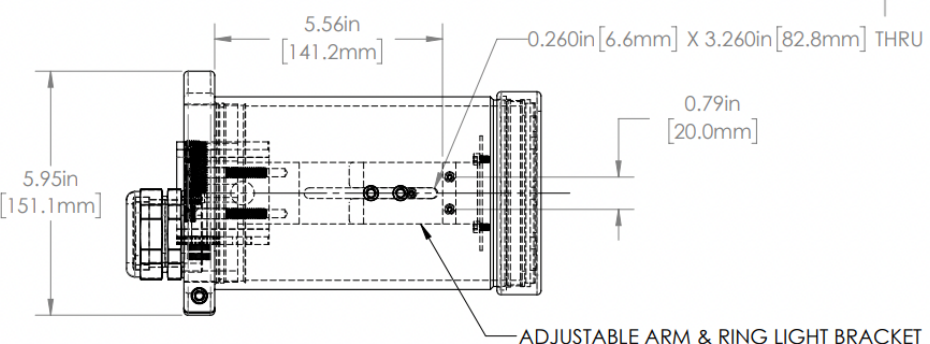


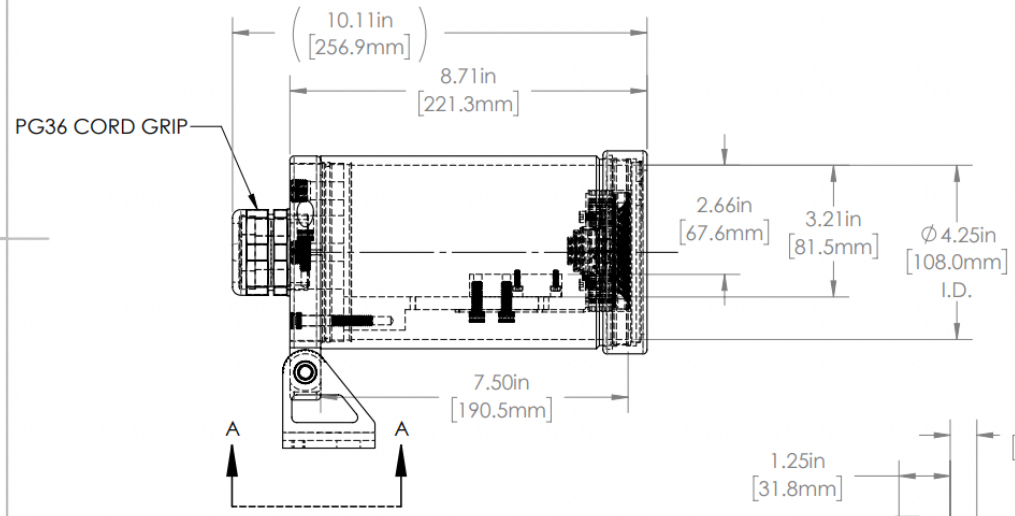
1 2 3 4 5 6

A

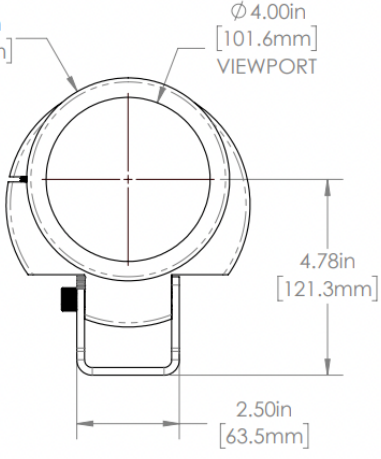


ADJUSTABLE ARM & RING LIGHT BRACKET

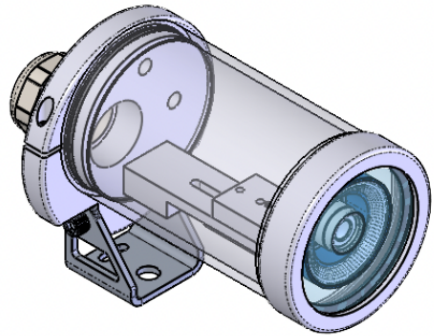
B



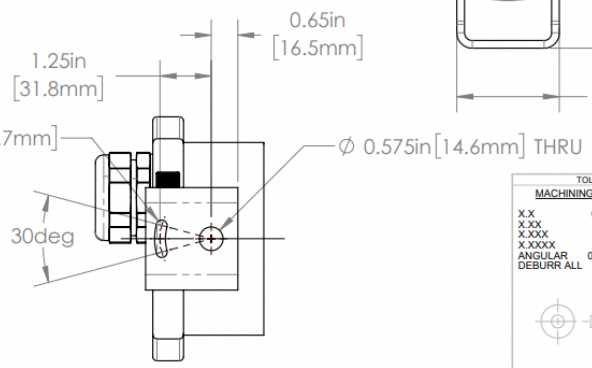
PG36 CORD GRIP



VIEWPORT



C



SECTION A-A

| REVISIONS |      |                                    |           |          |
|-----------|------|------------------------------------|-----------|----------|
| ZONE      | REV. | DESCRIPTION                        | DATE      | APPROVED |
|           | A    | REDRAWN<br>RELEASED FOR PRODUCTION | 9/15/2021 | DMM      |

**47C SERIES PROPERTIES TABLE**

| ENVIRONMENT RATING | IP68*  |                         |
|--------------------|--|-------------------------|
|                    | (*RATING MAY CHANGE IF INSTALLER MILLS CABLE GLAND OUTSIDE OF TOLERANCE) |                         |
| COMPONENT          | MATERIAL   | FINISH                  |
| BODY/BASE/BARREL   | 6061 ALUMINUM  | CLEAR HARDCOAT ANODIZED |
| VIEWPORT           | SODA LIME GLASS  | ABR2                    |
| GASKET             | VITON  | NONE                    |
| ARM/ADAPTER        | 6061 ALUMINUM  | NONE                    |
| HARDWARE           | 18-8 SS  | NONE                    |

| TOLERANCES UNLESS OTHERWISE SPECIFIED |             |                             |        |
|---------------------------------------|-------------|-----------------------------|--------|
| MACHINING                             | SHEET METAL |                             |        |
| X.X                                   | 0.0250"     | HOLE TO HOLE (SAME SURFACE) |        |
| X.XX                                  | 0.0100"     | X.X                         | 0.030" |
| X.XXX                                 | 0.0050"     | X.XX                        | 0.010" |
| X.XXXX                                | 0.0005"     | X.XXX                       | 0.005" |
| ANGULAR                               | 0.5°        | HOLE TO FOLDED EDGE         |        |
| DEBURR ALL                            |             | X.X                         | 0.035" |
|                                       |             | X.XX                        | 0.025" |
|                                       |             | X.XXX                       | 0.015" |
|                                       |             | FOLD TO FOLD                |        |
|                                       |             | X.X                         | 0.045" |
|                                       |             | X.XX                        | 0.035" |
|                                       |             | X.XXX                       | 0.020" |
|                                       |             | ANGULAR                     | 1.0°   |

|   |                               |
|---|-------------------------------|
| APG Vision LLC<br>4055 Alpha Drive<br>Allison Park, PA 15101 USA<br>Phone +1 (412) 487-8211<br>apgvision.com                            | <b>apgvision</b>              |
| DESCRIPTION<br><b>47C 7.5IN BARREL WITH 5IN CENTER SLOT<br/>ARM, 2.25IN BASLER ACE EXTENSION ARM<br/>&amp; RMX75 RING LIGHT BRACKET</b> |                               |
| MATERIAL:<br><b>SEE BOM</b>   |                               |
| FINISH: <b>SEE BOM</b>  |                               |
| DRAWN BY:<br>DMM  | DATE:<br>9/15/2021            |
| CHECKED BY:<br>DMM  | DATE:<br>9/15/2021            |
| SCALE:<br>1:3   | SHT-SIZE:<br>B                |
| APPROX. WEIGHT (LBS):<br>6.8708   | PART NUMBER:<br><b>47C-LZ</b> |
| REVISION<br>A   |                               |

1 2 3 4 5 6

D

D

THIS PRINT IS THE PROPERTY OF APG VISION LLC. THE INFORMATION CONTAINED HEREIN IS CONFIDENTIAL, IT IS NOT TRANSFERABLE, IT IS FURNISHED WITH THE CLEAR UNDERSTANDING THAT IT IS NOT TO BE REPRODUCED, COPIED, OR USED IN ANY PROCESS OF MANUFACTURING WITHOUT WRITTEN PERMISSION FROM THE OWNER AND IS RETURNABLE UPON DEMAND. ANY IMPROVEMENTS TO THE PATENT RIGHTS SHOWN HEREIN, WHETHER IN PART OR WHOLE, WILL BE PROTECTED.

AS PART OF OUR POLICY OF CONTINUING DEVELOPMENT, APG VISION LLC RESERVES THE RIGHT TO ALTER SPECIFICATIONS WITHOUT PRIOR NOTICE.